

## CONTENTS / INDEX

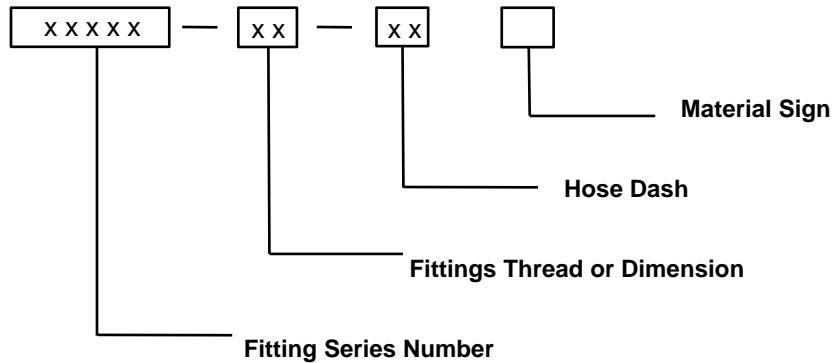


Reference Information: How To Order Fittings Page 2

Type Describe	Part Number				Page Number			
	Male	Femal	45°	90°	Swaged	Interlock	Reusable	Socketles
Ferrule					3 to 6	57	63	
Metric Flat Seal	1031x	2021x	2024x	2029x	7 to 9			
Metric Multiseal		2011x	2014x	2019x	10			
Metric 24° Cone O-Ring Seal L.T.	1041x	2041x	2044x	2049x	11, 12		63	
Metric 24° Cone O-Ring Seal H.T.	1051x	2051x	2054x	2059x	13, 14	57, 58	64	
Metric 24° Multiseal L.T.		2041xC	2044xC	2049xC	15			
Metric 24° Multiseal H.T.		2051xC	2054xC	2059xC	16			
Metric 60° Cone Seal	1061x	2061x	2064x	2069x	17, 18			
Metric 74° Cone Seal	1071x	2071x	2074x	2079x	19 to 21			
Metric 90° Cone Seal	1081x				21			
Metric Standpipe Straight		5001x	5004x	5009x	22 to 25			
BSPT Male	1301x				26	58		70
BSP Flat Seal	1221x	2221x	2224x	2229x	27			
BSP Multiseal		2211x	2214x	2219x	28, 29			
BSP 60° Cone Seal	1261x	2261x	2264x	2269x	29 to 32	58, 59	65, 66	70
NPT	1561x				33	59	66	71
SAE O-Ring Seal	1601x				34			
ORFS Flat Seal	1421x	2421x	2424x	2429x	35 to 37		66	
NPSM 60° Cone Seal		2161x	2164x	2169x	38			
JIC 74° Cone Seal	1671x	2671x	2674x	2679x	39 to 43		66, 67	71, 72
SAE 90° Cone Seal	1781x	2781x	2784x	2789x	44		68	72
SAE Flange 3000PSI		8731x	8734x	8739x	45, 46	60	69	
SAE Flange 6000PSI		8761x	8764x	8769x	47, 48	61		
SAE Flange 9000PSI		8791x	8794x	8799x		62		
JIS Flange		8811x	8814x	8819x	49			
JIS Metric 60° Cone	1861x	2861x	2864x	2869x	50, 51			
JIS GAS 60° Cone		2961x	2964x	2969x	52			
Staplelok		6x01x			53	59		
Banjo		7x01x			54, 55			
Double Connection		9001x			56	62		72

### How To Order Fittings

#### 1. Part Number



#### 2. Material Code

Material	Carbon Steel	Copper	Stainless Steel
Sign		BR	SS

#### 3. Hose Code

Hose DN.	5	6	8	10	12	16	20	22	25	32	40	50	64
Hose Dash.	-3	-4	-5	-6	-8	-10	-12	-14	-16	-20	-24	-32	-40

#### 6. Size Code Table

Nom. Size		(Thread Size or O.D.)x(of Thrds per Inch)						
Dash	Inch	BSPB	BSPT	NPT	JIC	SAE	ORFS	FLANGE
-02	1/8"	G1/8"x28	R1/8"x28	Z1/8"x27	5/16"x24	5/16"x24	/	/
-03	3/16"	/	/	/	3/8"x24	3/8"x24	/	/
-04	1/4"	G1/4"x19	R1/4"x19	Z1/4"x18	7/16"x20	7/16"x20	9/16"x18	/
-05	5/16"	/	/	/	1/2"x20	1/2"x20	/	/
-06	3/8"	G3/8"x19	R3/8"x19	Z3/8"x18	9/16"x18	9/16"x18	11/16"x16	/
-08	1/2"	G1/2"x14	R1/2"x14	Z1/2"x14	3/4"x16	3/4"x16	13/16"x16	1/2"
-10	5/8"	G5/8"x14	/	/	7/8"x14	7/8"x14	1"x14	/
-12	3/4"	G3/4"x14	R3/4"x14	Z3/4"x14	1.1/16"x12	1.1/16"x12	1.3/16"x12	3/4"
-14	7/8"	/	/	/	1.3/16"x12	1.3/16"x12	1.5/16"x12	/
-16	1"	G1"x11	R1"x11	Z1"x11.5	1.5/16"x12	1.5/16"x12	1.7/16"x12	1"
-20	1.1/4"	G1.1/4"x11	R1.1/4"x11	Z1.1/4"x11.5	1.5/8"x12	1.5/8"x12	1.11/16"x12	1.1/4"
-24	1.1/2"	G1.1/2"x11	R1.1/2"x11	Z1.1/2"x11.5	1.7/8"x12	1.7/8"x12	2"x12	1.1/2"
-32	2"	G2"x11	R2"x11	Z2"x11.5	2.1/2"x12	2.1/2"x12	2.1/2"x12	2"

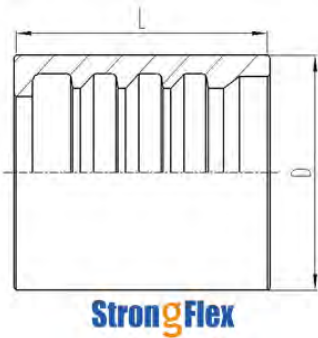
**NOTE:** The dash of metric thread accords whit the O.D. of thread.

**Example:** Fitting series is 15611, fitting thread is Z1/2" x14, hose bore is 12mm and is made of carbon steel, the number is 15611-08-08, if made of stainless steel, the number is 15611-08-08SS.

#### 1.2 -101 Swaged Ferrule

##### Skive Ferrule for SAE 100R1A / EN 853 1ST Hose

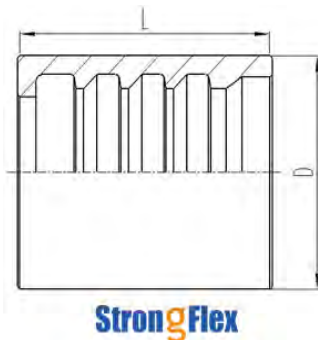
Number: 00100



PART NO.	HOSE BORE		DIMENSIONS	
	DN	DASH	D	L
00100-03	5	3	17.5	27
00100-04	6	4	20.6	30
00100-05	8	5	21.5	31
00100-06	10	6	24	32
00100-08	12	8	28.5	34
00100-10	16	10	32	37
00100-12	20	12	26	43
00100-16	25	16	43	50
00100-20	32	20	50.5	59
00100-24	38	24	57	74
00100-32	51	32	70.6	78

##### Skive Ferrule for SAE 100R2A / EN 853 2ST Hose

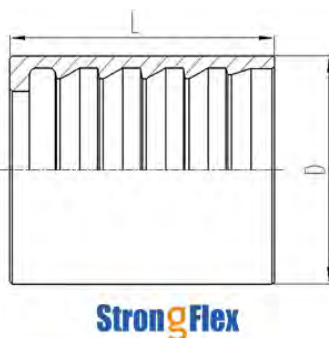
Number: 00200



PART NO.	HOSE BORE		DIMENSIONS	
	DN	DASH	D	L
00200-03	4	3	20.6	27
00200-04	6	4	21	30
00200-05	8	5	24	31
00200-06	10	6	25.5	32
00200-08	12	8	30	34
00200-10	16	10	33.4	37
00200-12	20	12	38	43
00200-16	25	16	46	50
00200-20	32	20	56	59
00200-24	38	24	62	74
00200-32	51	32	75	78

##### No-Skive Ferrule for SAE 100R1AT / EN 853 1SN Hose

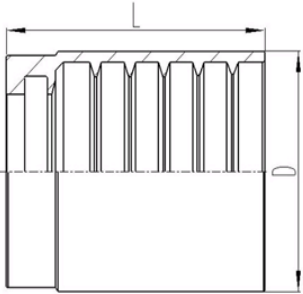
Number: 00110



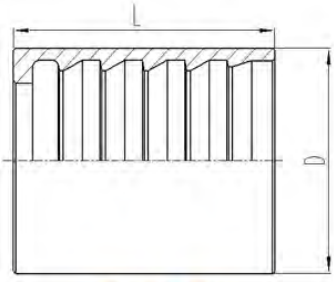
PART NO.	HOSE BORE		DIMENSIONS	
	DN	DASH	D	L
00110-03	5	3	17.5	27
00110-04	6	4	20.6	30
00110-05	8	5	20.8	31
00110-06	10	6	23.3	32
00110-08	12	8	27	34
00110-10	16	10	30	37
00110-12	20	12	34	43
00110-16	25	16	42.6	50
00110-20	32	20	52	59
00110-24	38	24	58	74
00110-32	51	32	72	78

### 1.2 -101 Swaged Ferrule

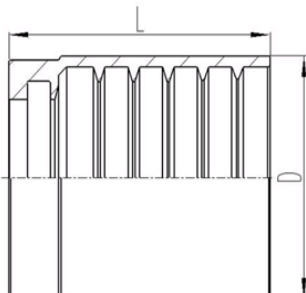
#### No-Skive Ferrule for SAE 100R1AT / EN 853 1SN Hose

<p>Number: 00110-A</p> 	PART NO.	HOSE BORE		DIMENSIONS	
		DN	DASH	D	L
	00110-03A	5	3	12.5	23
	00110-04A	6	4	14.1	30.5
	00110-05A	8	5	15.7	30
	00110-06A	10	6	18.1	32
	00110-08A	12	8	21.5	34
	00110-10A	16	10	24.7	37
	00110-12A	20	12	28.6	42
	00110-16A	25	16	36.6	51

#### No-Skive Ferrule for SAE 100R2AT / EN 853 2SN Hose

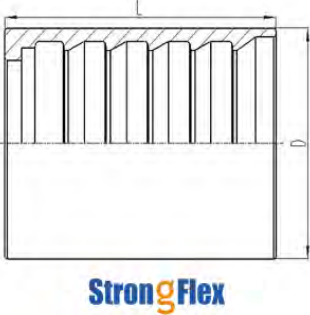
<p>Number: 00210</p>  <p style="text-align: center;"><b>StrongFlex</b></p>	PART NO.	HOSE BORE		DIMENSIONS	
		DN	DASH	D	L
	00210-03	5	3	20.6	27
	00210-04	6	4	22.2	30
	00210-05	8	5	23	31
	00210-06	10	6	25	32
	00210-08	12	8	28.3	34
	00210-10	16	10	31.5	37
	00210-12	20	12	35.5	43
	00210-16	25	16	45	50
	00210-20	32	20	55	59
	00210-24	38	24	62.5	74
	<b>Don't recommend for engineering machine</b>	00210-32	51	32	75.5

#### No-Skive Ferrule for SAE 100R2AT / EN 853 2SN Hose


<p>Number: 03310</p> 	PART NO.	HOSE BORE		DIMENSIONS	
		DN	DASH	D	L
	03310-03	5	3	21	23
	03310-04	6	4	23	30.5
	03310-05	8	5	24	30
	03310-06	10	6	26	32
	03310-08	13	8	29	34
	03310-10	16	10	33	37
	03310-12	19	12	37	42
	03310-16	25	16	46	51
03310-20	32	20	59	59	

### 1.2 -101 Swaged Ferrule

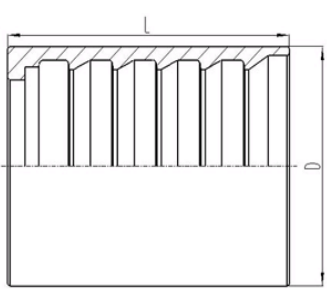
Ferrule for 4SP, 4SH/12-16, R12/06-16 Hose

<p>Number: 00400</p> 	PART NO.	HOSE BORE		DIMENSIONS	
		DN	DASH	D	L
	00400-04	6	4	22	37.5
	00400-06	10	6	25.5	39
	00400-08	12	8	29	41
	00400-10	16	10	32.5	43
	00400-12	20	12	37	51
	00400-16	25	16	46.5	61.5
	00400-20	32	20		67.5
	00400-24	40	24		75
00400-32	50	32		79	

Ferrule for 4SH, R12/32 Hose

<p>Number: 00401</p> 	PART NO.	HOSE BORE		DIMENSIONS	
		DN	DASH	D	L
	00401-20	32	20	53	67.5
	00401-24	38	24	61	75
	00401-32	51	32	77	79

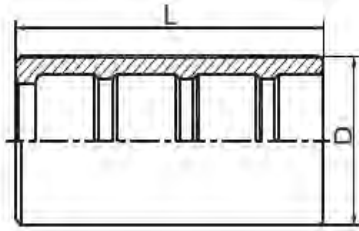
Ferrule for SAE 100R12/20-24 Hose

<p>Number: 01400</p> 	PART NO.	HOSE BORE		DIMENSIONS	
		DN	DASH	D	L
	01400-20	32	20	55.5	67.5
	01400-24	38	24	63.5	75

### 1.2 -101 Swaged Ferrule

#### Ferrule for SAE 100R7/R8 Hose

Number: 00018

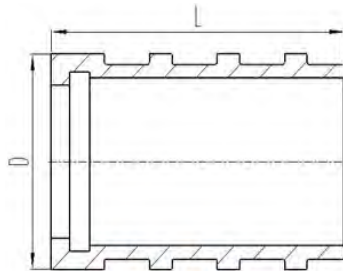


**StrongFlex**

PART NO.	HOSE BORE		DIMENSIONS	
	DN	DASH	D	L
00018-03	4	3	14.2	27
00018-04	6	4	17	29
00018-05	8	5	18.8	31
00018-06	10	6	21	31
00018-08	12	8	25.5	34
00018-12	20	12	33	43

#### Ferrule for Teflon Hose

Number: 00TF0



**StrongFlex**

PART NO.	HOSE BORE		DIMENSIONS	
	DN	DASH	D	L
00TF0-02	4	2	9.5	14.3
00TF0-03	5	3	11.9	27.5
00TF0-04	6	4	14.2	30.7
00TF0-05	8	5	16	30.6
00TF0-06	10	6	19	32.1
00TF0-08	12	8	23.8	34.3
00TF0-10	16	10	27	37
00TF0-12	20	12	30.2	42.8
00TF0-14	22	14	33.4	42.7
00TF0-16	25	16	36.5	50.8

### 1.2 -102 Metric Flat Seal

#### O-Ring Metric Male Flat Seal

Number: 10311 REF.JB/T988	PART NO.	THREAD E	HOSE BORE		DIMENSIONS					
			DN	DASH	A	C	S1			
<p>10311</p> <p>StrongFlex</p>	10311-12-04	M12X1.25	6	4	22.5	10	14			
	10311-14-04	M14X1.5	6	4	23.5	11	17			
	10311-16-04	M16X1.5	6	4	23.5	11	17			
	10311-16-05	M16X1.5	8	5	23.5	11	17			
	10311-16-06	M16X1.5	10	6	23.5	11	17			
	10311-18-06	M18X1.5	10	6	23.5	11	19			
	10311-22-05	M22X1.5	8	5	27	12	22			
	10311-22-06	M22X1.5	10	6	26	12	22			
	10311-22-08	M22X1.5	12	8	26.5	12	22			
	10311-27-10	M27X1.5	16	10	31.5	13	27			
	10311-30-12	M30X1.5	20	12	33.5	14	32			
	10311-36-12	M36X2	20	12	35.5	16	38			
	10311-36-14	M36X2	22	14	35.5	16	38			
	10311-39-16	M39X2	25	16	39	16	41			
	10311-45-20	M45X2	32	20	44.5	20	46			
	10311-52-24	M52X2	40	24	47.5	22	55			
10311-64-32	M64X2	50	32	52.5	27	65				

**Note:** 1.For use with braided hoses. 2. If use with spiral hoses, hose fitting series number is 10312-xx-xx.

#### Metric Female Flat Seat

Number: 20211 REF.JB/T9065.3	PART NO.	THREAD E	HOSE BORE		DIMENSIONS					
			DN	DASH	A	C	S2			
<p>20211</p> <p>StrongFlex</p>	20211-10-02	M10X1	4	2	14	6	14			
	20211-12-03	M12X1.25	5	3	14	8	17			
	20211-14-04	M14X1.5	6	4	15.5	8.5	19			
	20211-14-05	M14X1.5	8	5	15.5	8.5	19			
	20211-16-04	M16X1.5	6	4	16.5	8	22			
	20211-16-05	M16X1.5	8	5	16.5	8	22			
	20211-16-06	M16X1.5	10	6	16.5	8	22			
	20211-18-06	M18X1.5	10	6	17.5	8	24			
	20211-20-08	M20X1.5	12	8	18.5	10	27			
	20211-22-08	M22X1.5	12	8	18.5	10	27			
	20211-22-10	M22X1.5	16	10	19.5	10	27			
	20211-24-10	M24X1.5	16	10	20.5	10.5	30			
	20211-30-12	M30X1.5	20	12	21.5	11	36			
	20211-33-14	M33X2	22	14	21.5	13	41			
	20211-42-20	M42X2	32	20	26	15	50			

**Note:** 1.For use with braided hoses. 2. If use with spiral hoses, hose fitting series number is 20212-xx-xx.

### 1.2 -102 Metric Flat Seal

#### Metric Female Flat Seat

<p>Number: 20211-T REF.JB/T9065.3</p> <p>20211-T</p> <p><b>StrongFlex</b></p>	PART NO.	THREAD E	HOSE BORE		DIMENSIONS					
			DN	DASH	A	C	S2			
	20211-18-05T	M18X1.5	8	5	17.5	8	24			
	20211-20-06T	M20X1.5	10	6	16	10	24			
	20211-22-06T	M22X1.5	10	6	16	10	27			
	20211-24-08T	M24X1.5	12	8	16.5	11	30			
	20211-27-08T	M27X1.5	12	8	18.5	10	32			
	20211-27-10T	M27X1.5	16	10	19.5	10	32			
	20211-36-12T	M36X2	20	12	20	13	41			
	20211-36-14T	M36X2	22	14	20	13	41			
	20211-39-16T	M39X2	25	16	23.5	13	46			
	20211-45-20T	M45X2	32	20	25	15	55			
	20211-52-24T	M52X2	40	24	25	17	60			
	20211-60-28T	M60X2	45	28	26	20	70			
20211-64-32T	M64X2	50	32	26	23	75				

**Note:** 1.For use with braided hoses. 2. If use with spiral hoses, hose fitting series number is 20212-xx-xxT.

#### 45° Metric Female Flat Seat

<p>Number: 20241 REF.JB/T9065.3</p> <p>20241</p>	PART NO.	THREAD E	HOSE BORE		DIMENSIONS					
			DN	DASH	A	C	H	S2		
	20241-14-04	M14X1.5	6	4	40.5	8.5	18.5	19		
	20241-14-05	M14X1.5	8	5	42.7	8.5	19.3	19		
	20241-16-05	M16X1.5	8	5	44.4	8.5	20	22		
	20241-18-06	M18X1.5	10	6	45.7	8	21.4	24		
	20241-22-08	M22X1.5	12	8	58.9	10	24	27		
	20241-30-12	M30X1.5	20	12	78.1	11	30	36		
	20241-36-16	M36X2	25	16	85.7	13	31.5	41		
	20241-42-20	M42X2	32	20	97.3	15	36.6	50		

**Note:** 1.For use with braided hoses. 2. If use with spiral hoses, hose fitting series number is 20242-xx-xx.

#### 45° Metric Female Flat Seat

<p>Number: 20241-T REF.JB/T9065.3</p> <p>20241-T</p>	PART NO.	THREAD E	HOSE BORE		DIMENSIONS					
			DN	DASH	A	C	H	S2		
	20241-27-10T	M27X1.5	16	10	68.6	10	24.3	32		
	20241-36-12T	M36X2	20	12	75	13	27.5	41		
	20241-36-14T	M36X2	22	14	77.3	13	27	41		
	20241-39-16T	M39X2	25	16	83.9	13	29.7	46		
	20241-45-20T	M45X2	32	20	94.5	15	33.8	55		
	20241-52-20T	M52X2	32	20	94.5	17	33.8	60		
	20241-52-24T	M52X2	40	24	108.5	17	37.7	60		
	20241-60-28T	M60X2	45	28	118.7	20	43.6	70		
20241-64-32T	M64X2	50	32	127.8	23	45.6	75			

**Note:** 1.For use with braided hoses. 2. If use with spiral hoses, hose fitting series number is 20242-xx-xxT.



### 1.2 -102 Metric Flat Seal

#### 90° Metric Female Flat Seat

Number: 20291 REF.JB/T9065.3	PART NO.	THREAD E	HOSE BORE		DIMENSIONS					
			DN	DASH	A	C	H	S2		
<p style="text-align: center;"><b>20291</b></p> <p style="text-align: center;"><b>StrongFlex</b></p>	20291-12-02	M12X1.5	4	2	26.5	8	30.5	17		
	20291-12-04	M12X1.5	6	4	30	8	33.5	17		
	20291-14-04	M14X1.5	6	4	30	8.5	34	19		
	20291-14-05	M14X1.5	8	5	33	8.5	37	19		
	20291-16-04	M16X1.5	6	4	30	8	35	22		
	20291-16-05	M16X1.5	8	5	34	8	38	22		
	20291-16-06	M16X1.5	10	6	35.3	8	40.3	22		
	20291-18-06	M18X1.5	10	6	35.75	8	41.3	24		
	20291-22-08	M22X1.5	12	8	41	10	48	27		
	20291-22-10	M22X1.5	16	10	57.5	10	53	27		
	20291-30-12	M30X1.5	20	12	66.2	11	63.5	36		
	20291-33-14	M33X2	22	14	71.2	13	65	41		
	20291-36-16	M36X2	25	16	76.7	13	70	41		
	20291-42-20	M42X2	32	20	91.5	15	82.5	50		

**Note:** 1.For use with braided hoses. 2. If use with spiral hoses, hose fitting series number is 20292-xx-xx.

#### 90° Metric Female Flat Seat

Number: 20291-T REF.JB/T9065.3	PART NO.	THREAD E	HOSE BORE		DIMENSIONS					
			DN	DASH	A	C	H	S2		
<p style="text-align: center;"><b>20291-T</b></p> <p style="text-align: center;"><b>StrongFlex</b></p>	20291-18-05T	M18X1.5	8	5	33	8	39	24		
	20291-24-08T	M24X1.5	12	8	41	11	45.5	30		
	20291-27-04T	M27X1.5	6	4	30	10	35.5	32		
	20291-27-08T	M27X1.5	12	8	41	10	46	32		
	20291-27-10T	M27X1.5	16	10	56	10	51	32		
	20291-36-14T	M36X2	22	14	71.2	13	61	41		
	20291-39-16T	M39X2	25	16	76.7	13	67.5	46		
	20291-45-20T	M45X2	32	20	91.5	15	78.5	55		
	20291-52-20T	M52X2	32	20	91.5	17	78.5	60		
	20291-52-24T	M52X2	40	24	109.4	17	92	60		
	20291-60-28T	M60X2	45	28	119.9	20	106.5	70		
	20291-64-32T	M64X2	50	32	131	23	113.3	75		

**Note:** 1.For use with braided hoses. 2. If use with spiral hoses, hose fitting series number is 20292-xx-xxT.

### 1.2 -103 Metric Multiseal

#### Metric Female Multiseal

Number: 20111	PART NO.	THREAD E	HOSE BORE		DIMENSIONS					
			DN	DASH	A	C	S2			
	20111-10-03	M10X1	5	3	18	2.5	14			
	20111-12-04	M12X1.5	6	4	18.5	4	17			
	20111-12-05	M12X1.5	8	5	18.5	4	17			
	20111-16-05	M16X1.5	8	5	20	4.5	22			
	20111-18-06	M18X1.5	10	6	21.5	4	24			
	20111-18-08	M18X1.5	12	8	22	4	24			
	20111-20-06T	M20X1.5	12	6	20.5	5.5	24			
	20111-22-08	M22X1.5	12	8	23.5	5	27			
	20111-24-08T	M24X1.5	12	8	22	5.5	30			
	20111-24-10	M24X1.5	16	10	26	5	30			
	20111-27-10T	M27X1.5	16	10	23.5	7	32			
	20111-30-12	M30X2	20	12	26.5	7	36			
	20111-36-14T	M36X2	22	14	26	7	41			

**Note:** 1.For use with braided hoses. 2. If use with spiral hoses, hose fitting series number is 20112-xx-xx.

#### 45° Metric Female Multiseal

Number: 20141	PART NO.	THREAD E	HOSE BORE		DIMENSIONS					
			DN	DASH	A	C	H	S2		
	20141-10-03	M10X1	5	3	41.1	2.5	20.7	14		
	20141-12-04	M12X1.5	6	4	43	4	22	17		
	20141-16-06	M16X1.5	10	6	47.4	4.5	24.1	22		
	20141-18-06	M18X1.5	10	6	48.5	4	24.2	24		
	20141-22-08	M22X1.5	12	8	62.1	5	27.2	27		
	20141-30-12	M30X1.5	20	12	80.9	6	33.5	36		

**Note:** 1.For use with braided hoses. 2. If use with spiral hoses, hose fitting series number is 20142-xx-xx.

#### 90° Metric Female Multiseal

Number: 20191	PART NO.	THREAD E	HOSE BORE		DIMENSIONS					
			DN	DASH	A	C	H	S2		
	20191-10-03	M10X1	5	3	27	2.5	35.5	14		
	20191-12-04	M12X1.5	6	4	30	4	37.5	17		
	20191-14-04	M14X1.5	6	4	30	4.5	38	19		
	20191-16-05	M16X1.5	8	5	33	4.5	41.5	22		
	20191-16-06	M16X1.5	10	6	35.3	4.5	43.8	22		
	20191-18-06	M18X1.5	10	6	35.3	4	45.3	24		
	20191-20-08	M20X1.5	12	8	41	5.5	52	27		
	20191-22-08	M22X1.5	12	8	41	5	52.5	27		
	20191-24-10	M24X1.5	16	10	58	5	58.5	30		
	20191-30-12	M30X2	20	12	67.5	6	68.5	36		

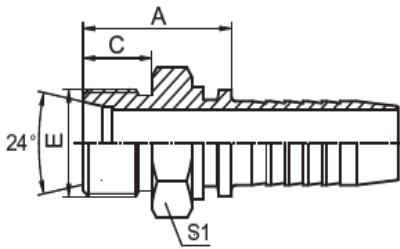
**Note:** 1.For use with braided hoses. 2. If use with spiral hoses, hose fitting series number is 20192-xx-xx.

#### 1.2 -104 Metric 24° Cone Seat L.T.

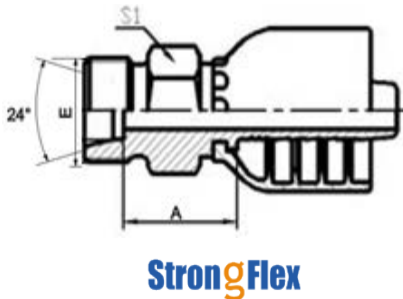
##### Metric Male 24° Cone Seat L.T.

Number: 10411

Ref. DIN3861 - ISO 8434-1



One Piece Number: 10411-FB



**StrongFlex**

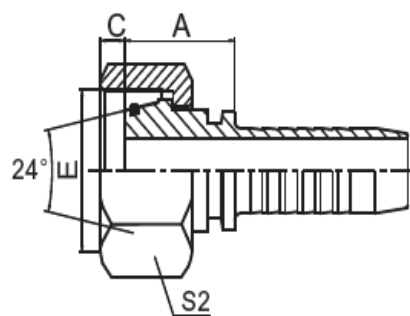
PART NO.	THREAD E	HOSE BORE		DIMENSIONS					
		DN	DASH	A	C	S 1			
10411-12-04	M12X1.5	6	4	20.5	10	12			
10411-14-04	M14X1.5	6	4	20.5	10	14			
10411-14-05	M14X1.5	8	5	21.5	10	14			
10411-16-04	M16X1.5	6	4	22.5	11	17			
10411-16-05	M16X1.5	8	5	22.5	11	17			
10411-16-06	M16X1.5	10	6	22.5	11	17			
10411-18-05	M18X1.5	8	5	23.5	11	19			
10411-18-06	M18X1.5	10	6	21.5	11	19			
10411-22-06	M22X1.5	10	6	24.5	12	24			
10411-22-08	M22X1.5	12	8	26	12	24			
10411-26-08	M26X1.5	12	8	26.5	12	27			
10411-26-10	M26X1.5	16	10	27	12	27			
10411-27-10	M27X1.5	16	10	32	14	30			
10411-30-10	M30X2	16	10	29	14	32			
10411-30-12	M30X2	20	12	29	14	32			
10411-36-16	M36X2	25	16	31.5	14	38			
10411-45-20	M45X2	32	20	36	16	46			
10411-52-24	M52X2	40	24	38	16	55			

**Note:** 1. For use with braided hoses. 2. If use with spiral hoses, hose fitting series number is 10412-xx-xx.

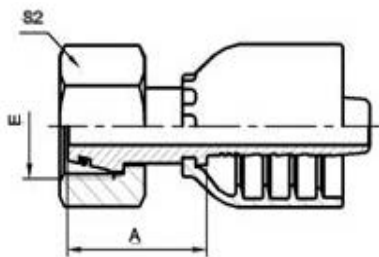
##### Metric Female 24° Cone O-Ring L.T.

Number: 20411-T

Ref. DIN 3865 - ISO 12151-2



One Piece Number: 20411-FB



**StrongFlex**

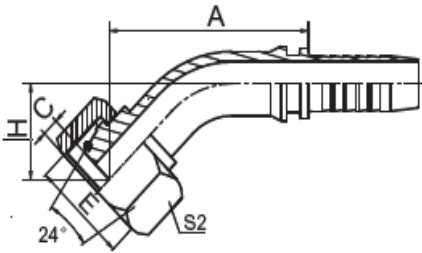
PART NO	THREAD E	HOSE BORE		O-RING	DIMENSIONS		
		DN	DASH		A	C	S2
20411-12-04	M12X1.5	6	4	O04.5X1.5	26	1	17
20411-14-04T	M14X1.5	6	4	O06.5X1.5	27.5	2	19
20411-14-06	M14X1.5	10	6	O06.5X1.5	27.5	2	19
20411-16-04T	M16X1.5	6	4	O08.0X1.5	28	2	22
20411-16-05T	M16X1.5	8	5	O08.0X1.5	28	2	22
20411-16-06	M16X1.5	10	6	O08.0X1.5	28	2	22
20411-18-06T	M18X1.5	10	6	O10.0X1.5	29	2.5	24
20411-18-08	M18X1.5	12	8	O10.0X1.5	29.5	2.5	24
20411-22-06T	M22X1.5	10	6	O12.0X2.0	29	2.5	27
20411-22-08T	M22X1.5	12	8	O12.0X2.0	32	2.5	27
20411-26-10T	M26X1.5	16	10	O15.0X2.0	35	2.5	32
20411-26-12	M26X1.5	20	12	O15.0X2.0	35	2.5	32
20411-27-10T	M27X1.5	16	10	O15.0X2.0	28	2.5	32
20411-30-10T	M30X2	16	10	O20.0X2.0	35	4	36
20411-30-12T	M30X2	20	12	O20.0X2.0	38	4	36
20411-36-12T	M36X2	20	12	O26.0X2.0	35	4	41
20411-36-14T	M36X2	22	14	O26.0X2.0	36	4	41
20411-45-16T	M45X2	25	16	O32.0X2.5	41	5	55
20411-45-20T	M45X2	32	20	O32.0X2.5	42	5	55
20411-52-20T	M52X2	32	20	O38.0X2.5	44	5.5	60
20411-52-24T	M52X2	40	24	O38.0X2.5	44	5.5	60

**Note:** 1. For use with braided hoses. 2. If use with spiral hoses, hose fitting series number is 20412-xx-xxT.

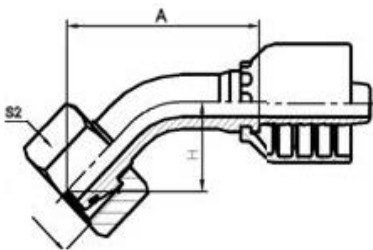
#### 1.2 -104 Metric 24° Cone Seat L.T.

##### 45° Metric Female 24° Cone O-Ring L.T.

Number: 20441-T  
Ref. DIN 3865 - ISO 12151-2



One Piece Number: 20441-FB



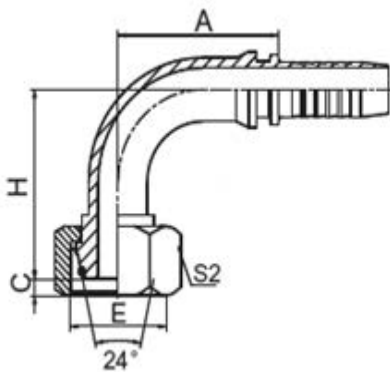
**StrongFlex**

PART NO	THREAD E	HOSE BORE		O-RING	DIMENSIONS			
		DN	DASH		A	C	H	S2
20441-14-04T	M14X1.5	6	4	O06.5X1.5	49	2	27	19
20441-16-05T	M16X1.5	8	5	O08.0X1.5	51.5	2	28.2	22
20441-16-06	M16X1.5	10	6	O08.0X1.5	53.4	2	29.2	22
20441-18-05T	M18X1.5	8	5	O10.0X1.5	46.2	2.5	22.9	22
20441-18-06T	M18X1.5	10	6	O10.0X1.5	54.2	2.5	29.9	24
20441-22-05T	M22X1.5	8	5	O12.0X2.0	48.3	2.5	25	27
20441-22-06T	M22X1.5	10	6	O12.0X2.0	50.4	2.5	25.7	27
20441-26-08T	M26X1.5	12	8	O15.0X2.0	62	2.5	26.1	32
20441-26-12	M26X1.5	20	12	O15.0X2.0	86.9	2.5	39.5	32
20441-27-10T	M27X1.5	16	10	O15.0X2.0	72	2.5	27.7	32
20441-27-12	M27X1.5	20	12	O15.0X2.0	86.9	2.5	39.5	32
20441-30-10T	M30X2	16	10	O20.0X2.0	75.1	4	30.3	36
20441-30-12T	M30X2	20	12	O20.0X2.0	89.1	4	41.7	36
20441-36-12T	M36X2	20	12	O26.0X2.0	82	4	33.9	41
20441-36-14T	M36X2	22	14	O26.0X2.0	83.7	4	33.3	41
20441-45-20T	M45X2	32	20	O32.0X2.5	99.6	5	40.8	55
20441-52-20T	M52X2	32	20	O38.0X2.5	103	5.5	41.9	60
20441-52-24T	M52X2	40	24	O38.0X2.5	117	5.5	45.8	60

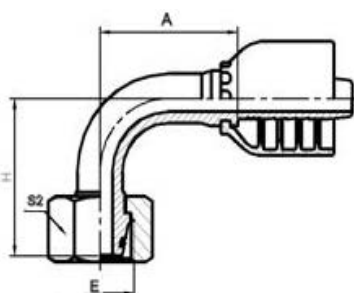
**Note:** 1. For use with braided hoses. 2. If use with spiral hoses, hose fitting series number is 20442-xx-xxT.

##### 90° Metric Female 24° Cone O-Ring L.T.

Number: 20491-T  
Ref. DIN 3865 - ISO 12151-2



One Piece Number: 20491-FB



PART NO	THREAD E	HOSE BORE		O-RING	DIMENSIONS			
		DN	DASH		A	C	H	S2
20491-12-03T	M12X1.5	5	3	O4.5X1.5	24	1	24	14
20491-12-04	M12X1.5	6	4	O4.5X1.5	30	1	44.5	17
20491-14-04T	M14X1.5	6	4	O6.5X1.5	30	2	46	19
20491-16-04T	M16X1.5	6	4	O6.5X1.5	30	1.5	48	22
20491-16-05T	M16X1.5	8	5	O8.0X1.5	33	1.5	51	22
20491-18-06T	M18X1.5	10	6	O8.0X1.5	35.5	2	52.8	24
20491-22-08T	M22X1.5	12	8	O11.0X2.0	41	2.5	57	27
20491-26-08T	M26X1.5	12	8	O15.0X2.0	41	2.5	61	27
20491-26-10T	M26X1.5	16	10	O15.0X2.0	56.5	2.5	67.5	32
20491-27-10T	M27X1.5	16	10	O15.0X2.0	56.5	2.5	67.5	32
20491-30-10T	M30X2	16	10	O20.0X2.0	56.5	4	57.2	36
20491-30-12T	M30X2	20	12	O16.3X2.4	65.5	3	81	36
20491-36-12T	M36X2	20	12	O26.0X2.0	65.5	4	69	41
20491-36-14T	M36X2	22	14	O26.0X2.0	71.2	4	70	41
20491-45-16T	M45X2	25	16	O32.0X2.5	76.7	5	75	55
20491-45-20T	M45X2	32	20	O32.0X2.5	91.5	5	88.5	55
20491-52-24T	M52X2	40	24	O38.0X2.5	109.4	5.5	104	60

**Note:** 1. For use with braided hoses. 2. If use with spiral hoses, hose fitting series number is 20492-xx-xxT.

### 1.2 -105 Metric 24° Cone Seat H.T.

#### Metric Male 24° Cone Seat H.T.

Number: 10511 Ref. DIN 3861 - ISO 8434	PART NO	THREAD E	HOSE BORE		DIMENSIONS					
			DN	DASH	A	C	S1			
<p>One Piece Number: 10511-FB</p> <p><b>StrongFlex</b></p>	10511-14-04	M14X1.5	6	4	24.1	12	14			
	10511-16-04	M16X1.5	6	4	26.5	12	17			
	10511-18-04	M18X1.5	6	4	26.5	12	19			
	10511-20-05	M20X1.5	8	5	27	12	22			
	10511-20-06	M20X1.5	10	6	26.5	12	22			
	10511-22-05	M22X1.5	8	5	30.5	14	24			
	10511-22-06	M22X1.5	10	6	30.5	14	24			
	10511-22-08	M22X1.5	12	8	31	14	24			
	10511-24-08	M24X1.5	12	8	31.5	14	27			
	10511-30-10	M30X2	16	10	36	16	32			
	10511-30-12	M30X2	20	12	36	16	32			
	10511-36-12	M36X2	20	12	40.5	18	41			
	10511-36-16	M36X2	25	16	41.5	18	38			
	10511-42-16	M42X2	25	16	44	20	46			
	10511-42-20	M42X2	32	20	45	20	46			
	10511-52-20	M52X2	32	20	50	22	55			

**Note:** 1. For use with braided hoses. 2. If use with spiral hoses, hose fitting series number is 10512-xx-xx.

#### Metric Female 24° Cone O-Ring H.T.

Number: 20511-T Ref. DIN 3865 - ISO 12151-2	PART NO	THREAD E	HOSE BORE		TUBE	O RING	DIMENSIONS		
			DN	DASH	O.D.		A	C	S2
<p>One Piece Number: 20511-FB</p> <p><b>StrongFlex</b></p>	20511-16-04T	M16X1.5	6	4	8	O06.5X1.5	29	1.5	22
	20511-18-04T	M18X1.5	6	4	10	O08.0X1.5	26.5	2	22
	20511-18-06T	M18X1.5	10	6	10	O08.0X1.5	29	2	24
	20511-20-05T	M20X1.5	8	5	12	O10.0X1.5	26.5	2.5	24
	20511-20-08T	M20X1.5	12	8	12	O10.0X1.5	31.5	2.5	27
	20511-22-06T	M22X1.5	10	6	14	O11.0X2.0	28.5	2.5	27
	20511-22-08T	M22X1.5	12	8	14	O11.0X2.0	31.5	2.5	27
	20511-24-06T	M24X1.5	10	6	16	O13.0X2.0	28.5	2.5	30
	20511-24-08T	M24X1.5	12	8	16	O13.0X2.0	30	3	30
	20511-30-10T	M30X2	16	10	20	O16.3X2.4	36	3	36
	20511-30-12T	M30X2	20	12	20	O16.3X2.4	39	3	36
	20511-36-12T	M36X2	20	12	25	O20.3X2.4	36	3	41
	20511-36-14T	M36X2	22	14	25	O20.3X2.4	36	3	41
	20511-42-12T	M42X2	20	12	30	O25.3X2.4	40	5	50
	20511-42-16T	M42X2	25	16	30	O25.3X2.4	41	5	50
	20511-52-20T	M52X2	32	20	38	O33.3X2.4	44	6.5	60
20511-52-24T	M52X2	40	24	38	O33.3X2.4	44	6.5	60	

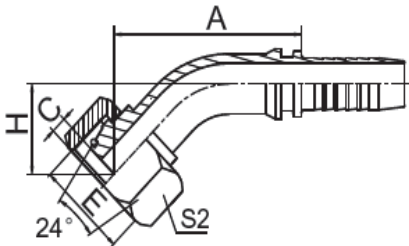
**Note:** 1. For use with braided hoses. 2. If use with spiral hoses, hose fitting series number is 20512-xx-xxT.

### 1.2 -105 Metric 24° Cone Seat H.T.

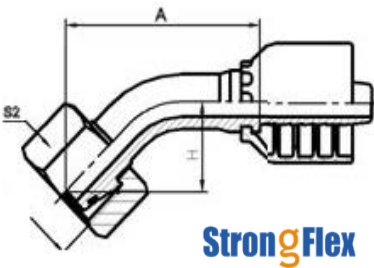
#### 45° Metric Female 24° Cone O-Ring H.T.

Number: 20541-T

Ref. DIN 3865 - ISO 12151-2



One Piece Number: 20541-FB



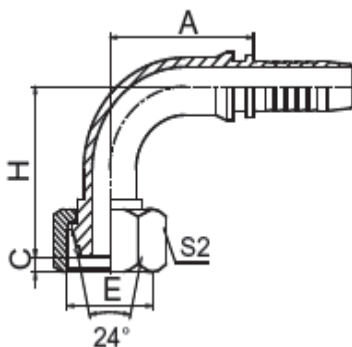
PART NO	THREAD E	HOSE BORE		O RING	DIMENSIONS			
		DN	DASH		A	C	H	S2
20541-16-04T	M16X1.5	6	4	O06.5X1.5	50.4	1.5	28.3	22
20541-16-05T	M16X1.5	8	5	O06.5X1.5	52.2	1.5	28.9	22
20541-18-04T	M18X1.5	6	4	O08.0X1.5	43.4	2	21.3	22
20541-18-06T	M18X1.5	10	6	O08.0X1.5	54.3	2	29.6	24
20541-20-06T	M20X1.5	10	6	O10.0X1.5	49.7	2.5	25	24
20541-20-08T	M20X1.5	12	8	O10.0X1.5	67.8	2.5	32.8	27
20541-22-06T	M22X1.5	10	6	O11.0X2.0	49.6	2.5	25.3	27
20541-22-08T	M22X1.5	12	8	O11.0X2.0	68.1	2.5	33.2	27
20541-24-08T	M24X1.5	12	8	O13.0X2.0	62.5	3	27.5	30
20541-30-10T	M30X2	16	10	O16.3X2.4	75.8	3	31	36
20541-30-12T	M30X2	20	12	O16.3X2.4	90.5	3	42.4	36
20541-36-12T	M36X2	20	12	O20.3X2.4	82.7	3	34.6	41
20541-36-14T	M36X2	22	14	O20.3X2.4	84.4	3	34	41
20541-42-16T	M42X2	25	16	O25.3X2.4	92.3	5	36.8	50
20541-52-20T	M52X2	32	20	O33.3X2.4	103.4	6.5	41.2	60
20541-52-24T	M52X2	40	24	O33.3X2.4	115.9	6.5	45.1	60

**Note:** 1. For use with braided hoses. 2. If use with spiral hoses, hose fitting series number is 20542-xx-xxT.

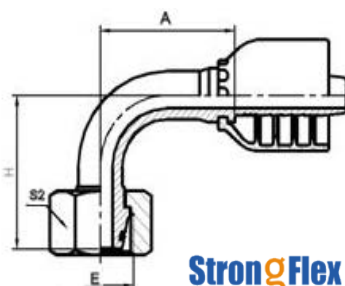
#### 90° Metric Female 24° Cone O-Ring H.T.

Number: 20591-T

Ref. DIN 3865 - ISO 12151-2



One Piece Number: 20591-FB



PART NO.	THREAD E	HOSE BORE		O RING	DIMENSIONS			
		DN	DASH		A	C	H	S2
20591-16-04T	M16X1.5	6	4	O06.5X1.5	30	1.5	48	22
20591-16-05T	M16X1.5	8	5	O06.5X1.5	33	1.5	51	22
20591-18-05T	M18X1.5	8	5	O08.0X1.5	33	2	41.5	22
20591-18-06T	M18X1.5	10	6	O08.0X1.5	35.5	2	52.8	24
20591-20-06T	M20X1.5	10	6	O10.0X1.5	35.8	2.5	46.3	24
20591-20-08T	M20X1.5	12	8	O10.0X1.5	41	2.5	61	27
20591-22-06T	M22X1.5	10	6	O11.0X2.0	35.3	2.5	46.8	27
20591-22-08T	M22X1.5	12	8	O11.0X2.0	41	2.5	61	27
20591-24-08T	M24X1.5	12	8	O13.0X2.0	41	3	53	30
20591-24-10T	M24X1.5	16	10	O13.0X2.0	56.5	2.5	67.5	30
20591-30-10T	M30X2	16	10	O16.3X2.4	56.5	3	60.5	36
20591-30-12T	M30X2	20	12	O16.3X2.4	65.5	3	81	36
20591-36-12T	M36X2	20	12	O20.3X2.4	66.2	3	70	41
20591-36-14T	M36X2	22	14	O20.3X2.4	71.2	3	71	41
20591-42-16T	M42X2	25	16	O25.3X2.4	78	5	77.5	50
20591-52-20T	M52X2	32	20	O33.3X2.4	93	6.5	89	60
20591-52-24T	M52X2	40	24	O33.3X2.4	109.4	6.5	103	60

**Note:** 1. For use with braided hoses. 2. If use with spiral hoses, hose fitting series number is 20592-xx-xxT.



### 1.2 -106 Metric 24° Mutiseal L.T.

#### Metric Female 24° Multiseal L.T

Number: 20411C Ref. DIN 3868	PART NO.	THREAD E	HOSE BORE		TUBE O.D.	DIMENSIONS			
			DN	DASH		A	C	S2	
<p><b>20411C</b></p> <p><b>20411C-T</b></p>	20411C-12-04	M12X1.5	6	4	6	19.5	3.5	17	
	20411C-14-04	M14X1.5	6	4	8	20.5	3.5	19	
	20411C-16-04	M16X1.5	6	4	10	21	3.5	22	
	20411C-16-05	M16X1.5	8	5	10	21	3.5	22	
	20411C-16-06	M16X1.5	10	6	10	21	3.5	22	
	20411C-18-06	M18X1.5	10	6	12	22.5	3	24	
	20411C-22-08	M22X1.5	12	8	15	24	4.5	27	
	20411C-30-12	M30X2	20	12	22	27	7	36	
	20411C-30-14	M30X2	22	14	22	27	7	36	
	20411C-36-16	M36X2	25	16	28	29	6.5	41	
	20411C-22-06T	M22X1.5	10	6	15	23.5	4.5	27	
	20411C-26-10T	M26X1.5	16	10	18	27	4	32	
	20411C-30-10T	M30X2	16	10	22	26.5	7	36	
	20411C-45-20T	M45X2	32	20	35	33	7	55	
20411C-52-24T	M52X2	40	24	42	34	8	60		

**Note:** 1. For use with braided hoses. 2. If use with spiral hoses, hose fitting series number is 20412C-xx-xx.

#### 45° Metric Female 24° Multiseal L.T

Number: 20441C Ref. DIN 3868	PART NO	THREAD E	HOSE BORE		TUBE O.D.	DIMENSIONS			
			DN	DASH		A	C	H	S2
<p><b>20441C</b></p> <p><b>20441C-T</b></p>	20491C-14-04	M14X1.5	6	4	8	30	3.5	39.5	19
	20491C-16-04	M16X1.5	6	4	10	30	3.5	40	22
	20491C-16-05	M16X1.5	8	5	10	33	3.5	43	22
	20491C-16-06	M16X1.5	10	6	10	35.25	3.5	45.2	22
	20491C-18-06	M18X1.5	10	6	12	35.25	3	47.25	24
	20491C-22-08	M22X1.5	12	8	15	41	4.5	53	27
	20491C-26-10	M26X1.5	16	10	18	56.5	4	60	32
	20491C-30-12	M30X2	20	12	22	65.5	7	68.5	36
	20491C-36-12T	M36X2	20	12	28	65.5	6.5	67.5	41

**Note:** 1. For use with braided hoses. 2. If use with spiral hoses, hose fitting series number is 20442C-xx-xx.

#### 90° Metric Female 24° Multiseal L.T

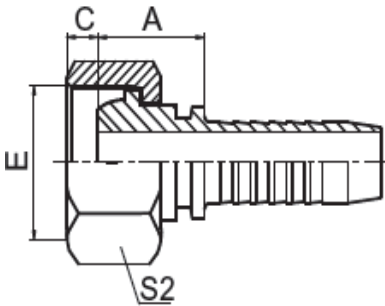
Number: 20491C Ref. DIN 3868	PART NO	THREAD E	HOSE BORE		TUBE O.D.	DIMENSIONS			
			DN	DASH		A	C	H	S2
<p><b>20491C</b></p> <p><b>20491C-T</b></p>	20491C-14-04	M14X1.5	6	4	8	30	3.5	39.5	19
	20491C-16-04	M16X1.5	6	4	10	30	3.5	40	22
	20491C-16-05	M16X1.5	8	5	10	33	3.5	43	22
	20491C-16-06	M16X1.5	10	6	10	35.25	3.5	45.2	22
	20491C-18-06	M18X1.5	10	6	12	35.25	3	47.25	24
	20491C-22-08	M22X1.5	12	8	15	41	4.5	53	27
	20491C-26-10	M26X1.5	16	10	18	56.5	4	60	32
	20491C-30-12	M30X2	20	12	22	65.5	7	68.5	36
	20491C-36-12T	M36X2	20	12	28	65.5	6.5	67.5	41

**Note:** 1. For use with braided hoses. 2. If use with spiral hoses, hose fitting series number is 20492C-xx-xx.

### 1.2 -107 Metric 24° Mutiseal H.T.

#### Metric Female 24°Multiseal H.T

Number: 20511C-T  
Ref. DIN 3868



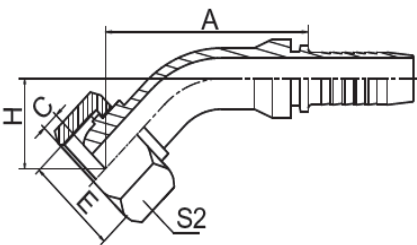
**20511C-T**

PART NO	THREAD E	HOSE BORE		TUBE O.D.	DIMENSIONS			
		DN	DASH		A	C	S2	
20511C-18-04T	M18X1.5	6	4	10	21	3	22	
20511C-20-05T	M20X1.5	8	5	12	21.5	4.5	24	
20511C-20-06T	M20X1.5	10	6	12	21.5	4.5	24	
20511C-22-06T	M22X1.5	10	6	14	21.5	4.5	27	
20511C-24-08T	M24X1.5	12	8	16	23	5	30	
20511C-30-10T	M30X2	16	10	20	26.5	7	36	
20511C-36-12T	M36X2	20	12	25	27	6.5	41	
20511C-42-16T	M42X2	25	16	30	29.5	9	50	
20511C-52-20T	M52X2	32	20	38	34	8	60	

**Note:** 1.For use with braided hoses. 2. If use with spiral hoses, hose fitting series number is 20512C-xx-xxT.

#### 45° Metric Female 24°Multiseal H.T

Number: 20541C-T  
Ref. DIN 3868



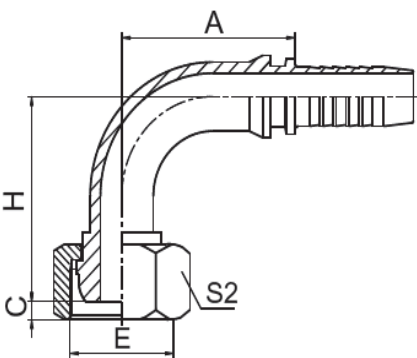
**20541C-T**

PART NO	THREAD E	HOSE BORE		TUBE O.D.	DIMENSIONS			
		DN	DASH		A	C	H	S2
20541C-16-04T	M16X1.5	6	4	8	44.8	3	22.7	19
20541C-18-04T	M18X1.5	6	4	10	43.7	3	21.6	22
20541C-20-06T	M20X1.5	10	6	12	48.9	4.5	24.6	24
20541C-24-08T	M24X1.5	12	8	16	61.4	2.5	26.5	30

**Note:** 1.For use with braided hoses. 2. If use with spiral hoses, hose fitting series number is 20542C-xx-xxT.

#### 90° Metric Female 24° Multiseal H.T

Number: 20591C-T  
Ref. DIN 3868



PART NO	THREAD E	HOSE BORE		TUBE O.D.	DIMENSIONS			
		DN	DASH		A	C	H	S2
20591C-16-04T	M16X1.5	6	4	8	30	3	40	22
20591C-18-04T	M18X1.5	6	4	10	30	3	38.5	22
20591C-20-05T	M20X1.5	8	5	12	33	4.5	42	24
20591C-20-06T	M20X1.5	10	6	12	35.3	4.5	45.7	24
20591C-22-06T	M22X1.5	10	6	14	35.3	4.5	44.7	27
20591C-24-08T	M24X1.5	12	8	16	41	5	52	30
20591C-30-10T	M30X2	16	10	20	56.5	7	56.5	36
20591C-36-12T	M36X2	20	12	25	65.5	6.5	66.5	41
20591C-42-16T	M42X2	25	16	30	78	9	73.5	50
20591C-52-20T	M52X2	32	20	38	93	8	87.5	60

**Note:** 1.For use with braided hoses. 2. If use with spiral hoses, hose fitting series number is 20592C-xx-xxT.



### 1.2 -108 Metric 60° Cone

#### Metric Male 60° Cone

Number: 10611	PART NO.	THREAD E	HOSE BORE		DIMENSIONS					
			DN	DASH	A	C	S1			
<p>StrongFlex</p>	10611-14-04	M14X1.5	6	4	23.5	11	19			
	10611-16-05	M16X1.5	8	5	26.5	12	22			
	10611-18-06	M18X1.5	10	6	29.5	12	24			
	10611-22-08	M22X1.5	12	8	32	14	27			
	10611-24-10	M24X1.5	16	10	35	14	30			
	10611-26-10	M16X1.5	16	10	35	16	32			
	10611-27-10	M27X1.5	16	10	18	16	32			
	10611-30-12	M30X1.5	20	12	20	18	36			
	10611-33-16	M33X2	25	16	43	20	46			
	10611-42-20	M42X2	32	20	46	20	50			
	10611-45-20	M45X2	32	20	46	20	55			
	10611-48-24	M48X2	40	24	46	20	55			
	10611-52-24	M52X2	40	24	48	20	60			

**Note:** 1.For use with braided hoses. 2. If use with spiral hoses, hose fitting series number is 10612-xx-xx.

#### Metric Female 60° Cone

Number: 20611	PART NO.	THREAD E	HOSE BORE		DIMENSIONS					
			DN	DASH	A	C	S2			
<p>StrongFlex</p>	20611-14-04	M14X1.5	6	4	18	5.5	19			
	20611-16-05	M16X1.5	8	5	19	5.5	22			
	20611-16-06	M16X1.5	10	6	19	5.5	22			
	20611-18-06	M18X1.5	10	6	20	5.5	24			
	20611-20-08	M20X1.5	12	8	22	6.5	27			
	20611-22-08	M22X1.5	12	8	22.5	6	27			
	20611-24-10	M24X1.5	16	10	24.5	6.5	30			
	20611-26-10	M26X1.5	16	10	25.5	6	32			
	20611-30-12	M30X2	20	12	26.5	6	36			
	20611-36-16	M36X2	25	16	30	6.5	41			
	20611-39-16T	M39X2	25	16	30	6.5	46			
	20611-45-20T	M45X2	32	20	31	8.5	55			
	20611-52-24T	M52X2	40	24	32	10	60			

**Note:** 1.For use with braided hoses. 2. If use with spiral hoses, hose fitting series number is 20612-xx-xx.

### 1.2 -108 Metric 60° Cone

#### 45° Metric Female 60° Cone

Number: 20641	PART NO.	THREAD E	HOSE BORE		DIMENSIONS					
			DN	DASH	A	C	H	S2		
	20641-14-04	M14X1.5	6	4	42.7	5.5	20.6	19		
	20641-16-05	M16X1.5	8	5	45.1	5.5	21.8	22		
	20641-18-06	M18X1.5	10	6	47.4	5.6	23.2	24		
	20641-22-08	M22X1.5	12	8	61.8	6	26.8	27		
	20641-27-10	M27X1.5	16	10	71.4	6	29.2	32		
	20641-30-12	M30X1.5	20	12	81.6	6	33.5	36		
	20641-36-14T	M36X2	22	14	81.9	6.5	31.6	41		
	20641-39-16T	M39X2	25	16	88.5	6.5	34.3	46		
	20641-45-20T	M45X2	32	20	99.1	8.5	38.4	55		
	20641-52-24T	M52X2	40	24	113.4	10	42.7	60		

**Note:** 1. For use with braided hoses. 2. If use with spiral hoses, hose fitting series number is 20642-xx-xx.

#### 90° Metric Female 60° Cone

Number: 20691	PART NO.	THREAD E	HOSE BORE		DIMENSIONS					
			DN	DASH	A	C	H	S2		
	20691-14-04	M14X1.5	6	4	30	5.5	37	19		
	20691-16-05	M16X1.5	8	5	33	5.5	40.5	22		
	20691-18-06	M18X1.5	10	6	35.3	5.5	43.8	24		
	20691-22-08	M22X1.5	12	8	41	6	52	27		
	20691-27-10	M27X1.5	16	10	56	6	55	32		
	20691-30-12	M30X1.5	20	12	66.2	6	68.5	36		
	20691-36-16	M36X2	25	16	78	6.5	76.5	41		
	20691-36-14T	M36X2	22	14	71.2	6.5	67.5	41		
	20691-39-16T	M39X2	25	16	76.7	6.5	74	46		
	20691-45-20T	M45X2	32	20	91.5	8.5	85	55		
	20691-52-24T	M52X2	40	24	109.4	10	99	60		

**Note:** 1. For use with braided hoses. 2. If use with spiral hoses, hose fitting series number is 20692-xx-xx.

### 1.2 -109 Metric 74° Cone

#### Metric Male 74° Cone Seat

<p>Number: 10711 Ref. GB/T5628</p> <p><b>StrongFlex</b></p>	PART NO.	THREAD E	HOSE BORE		DIMENSIONS					
			DN	DASH	A	C	S1			
	10711-12-03	M12X1	4	3	26.5	15.7	14			
	10711-14-04	M14X1.5	6	4	30.5	18	17			
	10711-14-06	M14X1.5	10	6	30.5	18	17			
	10711-16-05	M16X1.5	8	5	31.5	19	17			
	10711-16-06	M16X1.5	10	6	31.5	19	17			
	10711-18-06	M18X1.5	10	6	31.5	19	19			
	10711-22-08	M22X1.5	12	8	35	19.5	22			
	10711-24-08	M24X1.5	12	8	37	20	24			
	10711-27-10	M27X1.5	16	10	38.5	20.5	27			
	10711-30-12	M30X1.5	20	12	42.5	23	32			
	10711-30-12	M30X2	20	12	45.5	26	32			
	10711-33-12	M33X2	20	12	45	26	36			
	10711-36-14	M36X2	22	14	45	26	38			
	10711-39-16	M39X2	25	16	48	27.5	41			
	10711-42-20	M42X2	32	20	52	28.5	46			
10711-45-20	M45X2	32	20	52	28.5	46				

**Note:** 1.For use with braided hoses. 2. If use with spiral hoses, hose fitting series number is 10712-xx-xx.

#### Metric Female 74° Cone Seat

<p>Number: 20711 Ref. GB/T5628</p> <p><b>20711</b></p> <p><b>StrongFlex</b></p>	PART NO.	THREAD E	HOSE BORE		DIMENSIONS					
			DN	DASH	A	C	S2			
	20711-10-02	M10X1	4	2	14	7.5	17			
	20711-12-03C	M12X1.25	5	3	14	9	17			
	20711-12-03	M12X1.5	5	3	14	10	17			
	20711-12-04	M14X1.5	6	4	14.5	10	17			
	20711-14-04	M14X1.5	6	4	15.5	8.5	19			
	20711-14-05	M14X1.5	8	5	15.5	8.5	19			
	20711-14-06	M14X1.5	10	6	15.5	8.5	19			
	20711-16-04	M16X1.5	6	4	16.5	8	22			
	20711-16-05	M16X1.5	8	5	16.5	8	22			
	20711-16-06	M16X1.5	10	6	16	8	22			
	20711-18-06	M18X1.5	10	6	17.5	10	24			
	20711-20-08	M20X1.5	12	8	18.5	10	27			
	20711-22-08	M22X1.5	12	8	18.5	10	27			
	20711-22-10	X22X1.5	16	10	19.5	10	27			
	20711-27-12	M27X1.5	20	12	21.5	11	32			
	20711-30-12	M30X1.5	20	12	21.5	11	36			
	20711-33-14	M33X2	22	14	21.5	13	41			
	20711-36-16	M36X2	25	16	23	14	41			
20711-42-20	M42X2	32	20	26	15	50				

**Note:** 1.For use with braided hoses. 2. If use with spiral hoses, hose fitting series number is 20712-xx-xx.

### 1.2 -109 Metric 74° Cone

#### Metric Female 74° Cone Seat

<p>Number: 20711-T Ref. GB/T5628</p> <p style="text-align: center;"><b>20711-T</b></p>	PART NO.	THREAD E	HOSE BORE		DIMENSIONS					
			DN	DASH	A	C	S2			
	20711-18-05T	M18X1.5	8	5	16	8	22			
	20711-20-06T	M20X1.5	10	6	16	10	24			
	20711-22-06T	M22X1.5	10	6	16	10	27			
	20711-24-08T	M24X1.5	12	8	16.5	11	30			
	20711-27-08T	M27X1.5	12	8	18.5	11	32			
	20711-27-10T	M27X1.5	16	10	19.5	11	32			
	20711-30-10T	M30X1.5	16	10	18.5	11	36			
	20711-33-10T	M33X2	16	10	20	13	41			
	20711-33-12T	M33X2	20	12	20	13	41			
	20711-36-12T	M36X2	20	12	20	14	41			
	20711-36-14T	M36X2	22	14	20	14	41			
	20711-39-16T	M39X2	25	16	23.5	14	46			
	20711-42-16T	M42X2	25	16	23.5	15	50			
	20711-45-20T	M45X2	32	20	25	15	55			
	20711-52-24T	M52X2	40	24	25	17	60			
<p><b>Note:</b> 1. For use with braided hoses. 2. If use with spiral hoses, hose fitting series number is 20712-xx-xxT.</p>										

#### 45° Metric Female 74° Cone Seat

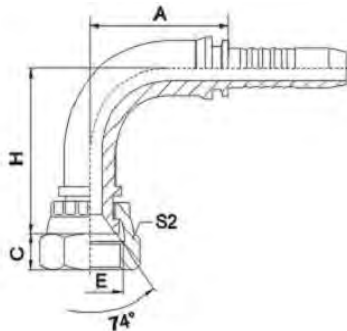
<p>Number: 20741 Ref. GB/T5628</p>	PART NO.	THREAD E	HOSE BORE		DIMENSIONS						
			DN	DASH	A	C	H	S2			
	20741-14-04	M14X1.5	6	4	40.5	8.5	18.5	19			
	20741-16-05	M16X1.5	8	5	44.4	8	20	22			
	20741-18-06	M18X1.5	10	6	45.7	10	21.4	24			
	20741-22-08	M22X1.5	12	8	58.9	10	24	27			
	20741-27-10	M27X1.5	16	10	71.2	11	26.4	32			
	20741-30-12	M30X1.5	20	12	78.1	11	30	36			
	20741-33-12	M33X2	20	12	77.4	13	30	41			
	20741-33-16	M33X2	25	16	85	13	30.8	41			
	20741-36-14	M36X2	22	14	79.8	14	29.6	41			
	20741-36-16	M36X2	25	16	85.7	14	31.5	41			
	20741-39-16	M39X2	25	16	86.1	14	31.8	46			
	20741-45-20	M45X2	32	20	97	15	36.2	55			
	20741-52-24	M52X2	40	24	112.9	17	40.9	60			
	20741-52-24T	M52X2	38	24	17	60	37.7				
	<p><b>Note:</b> 1. For use with braided hoses. 2. If use with spiral hoses, hose fitting series number is 20742-xx-xx.</p>										

### 1.2 -109 Metric 74° Cone

#### 90° Metric Female 74° Cone Seat

Number: 20791

Ref. GB/T5628



**StrongFlex**

PART NO.	THREAD E	HOSE BORE		DIMENSIONS					
		DN	DASH	A	C	H	S2		
20791-12-04C	M12X1.5	6	4	30	9	33.5	17		
20791-12-04	M12X1.5	6	4	30	10	33.5	17		
20791-14-04	M14X1.5	6	4	30	8.5	34	19		
20791-16-04	M16X1.5	6	4	30	8	35	22		
20791-16-05	M16X1.5	8	5	34	8	38	22		
20791-18-06	M18X1.5	10	6	35.3	10	41.3	24		
20791-22-08	M22X1.5	12	8	41	10	48	27		
20791-22-10	M22X1.5	16	10	56.5	10	52.5	27		
20791-27-10	M27X1.5	16	10	56.5	11	54	32		
20791-30-12	M30X1.5	20	12	66.2	11	63.5	36		
20791-33-12	M33X2	20	12	65.5	13	63.5	41		
20791-33-16	M33X2	25	16	76.7	13	69	41		
20791-36-12	M36X2	20	12	65.5	14	63.5	41		
20791-36-14	M36X2	22	14	71.2	14	64.5	41		
20791-39-16	M39X2	25	16	76.7	14	70.5	46		
20791-45-20	M45X2	32	20	91.5	15	83	55		
20791-52-20	M52X2	32	20	93	17	84.5	60		
20791-52-24	M52X2	40	24	110.7	17	96.5	60		

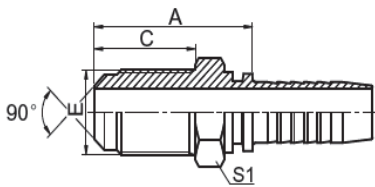
**Note:** 1. For use with braided hoses. 2. If use with spiral hoses, hose fitting series number is 20792-xx-xx.

## Swaged Hose Fittings

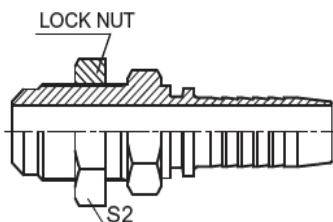
### 1.2 -110 Metric 90° Cone

#### Metric Male 90° Cone Seat

Number: 10811L



**10811L**



**10811L-LN**

PART NO.	THREAD E	HOSE BORE		DIMENSIONS					
		DN	DASH	A	C	S1	S2		
10811L-12-04	M12X1.5	6	4	46		17	17		
10811L-12-04	M12X1.5	6	4	44.5		17	17		
10811L-14-04	M14X1.5	6	4	46		17	17		
10811L-14-06	M14X1.5	10	6	46.5		17	17		
10811L-16-04	M16X1.5	6	4	46.5		19	19		
10811L-16-06	M16X1.5	10	6	46.5		22	22		
10811L-20-06	M20X1.5	10	6	57		27	27		
10811L-20-08	M20X1.5	12	8	57.5		27	27		
10811L-22-08	M22X1.5	12	8	62.5		27	27		

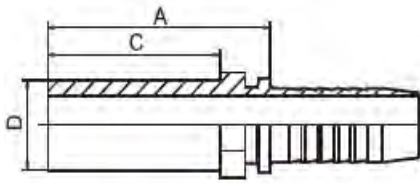
**Note:** if you are interested to order the fitting with lock nut, please insert suffix "LN" after our part no. for example 10811L-12-04LN.

### 1.2 -111 Metric Standpipe Straight

#### Metric Standpipe Straight

Number: 50011

Ref. DIN 2353




PART NO.	TUBE O.D.	HOSE BORE		DIMENSIONS		NOTE
		DN	DASH	A	C	
50011-06-03	6	5	3	28.5	22	L
50011-06-04	6	6	4	29	22	
50011-10-05	10	8	5	31	23	
50011-10-06	10	10	6	32	23	
50011-12-06	12	10	6	33.5	23	
50011-12-08	12	12	8	33	23	
50011-15-06	15	10	6	35.5	25	
50011-15-08	15	12	8	35.5	25	
50011-18-08	18	12	8	36.5	26	
50011-18-10	18	16	10	41	26	
50011-22-10	22	16	10	44	28	
50011-22-16	22	25	16	46	28	
50011-28-06	28	25	16	47	30	
50011-35-20	35	32	20	56	36	
50011-42-24	42	40	24	62	40	
50011-08-04	8	6	4	31	24	S
50011-08-05	8	8	5	33	24	
50011-08-06	8	10	6	33	24	
50011-10-04	10	6	4	35	26	
50011-12-04	12	6	4	34.5	26	
50011-12-05	12	8	5	35.5	26	
50011-14-06	14	10	6	39.5	29	
50011-14-08	14	12	8	40	29	
50011-14-12	14	20	12	45.5	29	
50011-16-08	16	12	8	41	30	
50011-16-10	16	16	10	45.5	30	
50011-20-10	20	16	10	52.5	36	
50011-20-12	20	20	12	52.5	36	
50011-25-12	25	20	12	56	40	
50011-25-16	25	25	16	57	40	
50011-30-10	30	25	16	63	44	
50011-30-20	30	32	20	64	44	
50011-38-16	38	25	16	69	50	
50011-38-20	38	32	20	70	50	

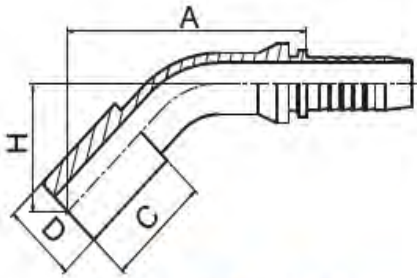
**Note:** 1.For use with braided hoses. 2. If use with spiral hoses, hose fitting series number is 50012-xx-xx.

### 1.2 -111 Metric Standpipe Straight

#### 45° Metric Standpipe Straight

Number: 50041

Ref. DIN 2353



PART NO.	TUBE O.D.	HOSE BORE		DIMENSIONS			NOTE	
		DN	DASH	A	C	H		
50041-06-03	6	5	3	47.8	22	27.5	L	
50041-06-04	6	6	4	52.2	22	30.1		
50041-08-05	8	8	5	55.7	24	32.4		
50041-08-06	8	10	6	57.9	24	33.1		
50041-10-05	10	8	5	54	23	30.6		
50041-10-06	10	10	6	56.1	23	31.3		
50041-12-06	12	10	6	58.5	23	34.5		
50041-12-08	12	12	8	72.4	23	37.4		
50041-15-06	15	10	6	59.3	25	34.5		
50041-15-08	15	12	8	70.6	25	35.7		
50041-18-08	18	12	8	73.4	26	38.5		
50041-18-10	18	16	10	84.6	26	39.8		
50041-22-10	22	16	10	87.1	28	42.3		
50041-22-12	22	20	12	93.3	28	45.9		
50041-22-16	22	25	16	100.9	28	46.7		
50041-28-16	28	25	16	103.7	30	49.5		
50041-35-20	35	32	20	118.5	36	57.8		
50041-08-04	8	6	4	53.6	24	31.5		S
50041-10-04	10	6	4	54	26	31.9		
50041-12-04	12	6	4	57.1	26	35.1		
50041-12-05	12	8	5	59.2	26	35.9		
50041-14-06	14	10	6	61.6	29	37.3		
50041-14-08	14	12	8	73.8	29	38.8		
50041-14-12	14	20	12	91.9	29	43.8		
50041-16-08	16	12	8	76.6	30	41.7		
50041-16-10	16	16	10	87.8	30	43		
50041-20-10	20	16	10	92.8	36	48		
50041-20-12	20	20	12	100.7	36	52.6		
50041-25-12	25	20	12	101.8	40	54.4		
50041-25-16	25	25	16	109.4	40	55.2		
50041-30-16	30	25	16	113.6	44	59.4		
50041-30-20	30	32	20	124.2	44	63.5		
50041-38-16	38	25	16	117.9	50	63.6		
50041-38-20	38	32	20	128.4	50	67.7		

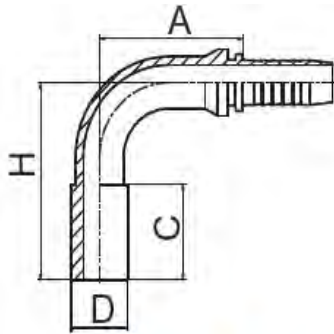
**Note:** 1. For use with braided hoses. 2. If use with spiral hoses, hose fitting series number is 50042-xx-xx.

### 1.2 -111 Metric Standpipe Straight

#### 90° Metric Standpipe Straight

Number: 50091

Ref. DIN 2353



**StrongFlex**

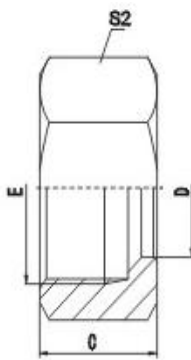
PART NO.	D TUBE O.D.	HOSE BORE		DIMENSIONS			NOTE	
		DN	DASH	A	C	H		
50091-06-03	6	5	3	26.5	22	45	L	
50091-06-04	6	6	4	30	22	48		
50091-08-05	8	8	5	34	24	55.5		
50091-08-06	8	10	6	35.8	24	57.8		
50091-10-05	10	8	5	34	23	53		
50091-10-06	10	10	6	35.3	23	55.3		
50091-12-06	12	10	6	35.3	23	59.8		
50091-12-08	12	12	8	41	23	67		
50091-15-06	15	10	6	35.8	25	59.8		
50091-15-08	15	12	8	41	25	65		
50091-18-08	18	12	8	41	26	68.5		
50091-18-10	18	16	10	56.5	26	73		
50091-22-10	22	16	10	56.5	28	76.5		
50091-22-12	22	20	12	65.5	28	86		
50091-22-16	22	25	16	76.7	28	91.5		
50091-28-16	28	25	16	76.7	30	95.5		
50091-35-20	35	32	20	91.5	36	112.5		
50091-08-04	8	6	4	30	24	52.5		S
50091-10-04	10	6	4	30	26	53		
50091-12-04	12	6	4	30	26	57.5		
50091-12-05	12	8	5	33	26	60.5		
50091-14-06	14	10	6	35.3	29	63.8		
50091-14-08	14	12	8	41	29	69		
50091-14-12	14	20	12	66.2	29	83		
50091-16-08	16	12	8	42	30	73		
50091-16-10	16	16	10	56.5	30	77.5		
50091-20-10	20	16	10	56.5	36	84.5		
50091-20-12	20	20	12	65.5	36	95.5		
50091-25-12	25	20	12	65.5	40	98		
50091-25-16	25	25	16	76.7	40	103.5		
50091-30-16	30	25	16	78	40	109.5		
50091-30-20	30	32	20	91.5	44	120.5		
50091-38-16	38	25	16	76.7	50	115.5		
50091-38-20	38	32	20	91.5	50	126.5		

**Note:** 1. For use with braided hoses. 2. If use with spiral hoses, hose fitting series number is 50092-xx-xx.

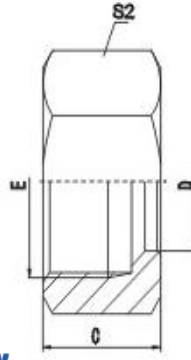


### 1.2 -111 Metric Standpipe Straight

#### Retaining Nut L.T.

<p>Number: NL Ref. DIN 3870</p> 	PART NO	THREAD E	TUBE O.D.	DIMENSIONS	
				C	S
	NL-12	M12X1.5	6	14.5	14
	NL-14	M14X1.5	8	14.5	17
	NL-16	M16X1.5	10	15.5	19
	NL-18	M18X1.5	12	15.5	22
	NL-22	M22X1.5	15	17	27
	NL-26	M26X1.5	18	18	32
	NL-30	M30X2	22	20	36
	NL-36	M36X2	28	21	41
	NL-45	M45X2	35	24	50
	NL-52	M52X2	42	24	60

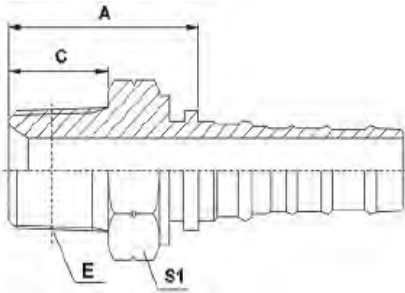
#### Retaining Nut H.T.

<p>Number: NS Ref. DIN 3870</p> 	PART NO	THREAD E	TUBE O.D.	DIMENSIONS	
				C	S
	NS-14	M14X1.5	6	16.5	17
	NS-16	M16X1.5	8	16.5	19
	NS-18	M18X1.5	10	17.5	22
	NS-20	M20X1.5	12	17.5	24
	NS-22	M22X1.5	14	20.5	27
	NS-24	M24X1.5	16	20.5	30
	NS-30	M30X2	20	24	36
	NS-36	M36X2	25	27	46
	NS-42	M42X2	30	29	50
	NS-52	M52X2	38	32.5	60

### 1.2 -112 BSPT Male

#### BSPT Male

Number: 13011-SP



PART NO.	THREAD E	HOSE BORE		DIMENSIONS					
		DN	DASH	A	C	S1			
13011-02-03SP	R1/8"X28	5	3	22	10	12			
13011-02-04SP	R1/8"X28	6	4	22.5	10	12			
13011-04-04SP	R1/4"X19	6	4	27	14.5	14			
13011-04-05SP	R1/4"X19	8	5	25	15.4	14			
13011-04-06SP	R1/4"X19	10	6	27	14.5	17			
13011-06-04SP	R3/8"X19	6	4	27.5	15	17			
13011-06-05SP	R3/8"X19	8	5	26.5	15	17			
13011-06-06SP	R3/8"X19	10	6	27.5	15	17			
13011-06-08SP	R3/8"X19	12	8	30	15	19			
13011-08-06SP	R1/2"X14	10	6	34.5	20	22			
13011-08-08SP	R1/2"X14	12	8	35	20	22			
13011-08-10SP	R1/2"X14	16	10	38	20	22			
13011-08-12SP	R1/2"X14	20	12	38	20	27			
13011-12-08SP	R3/4"X14	12	8	37	20	27			
13011-12-10SP	R3/4"X14	16	10	38	20	27			
13011-12-12SP	R3/4"X14	20	12	38.5	20	27			
13011-12-16SP	R3/4"X14	25	16	39.5	20	32			
13011-16-12SP	R1"X11	20	12	44	25.5	36			
13011-16-16SP	R1"X11	25	16	45	25.5	36			
13011-20-20SP	R1.1"X11	32	20	49.5	26.5	46			
13011-24-24SP	R1.1"X11	40	24	51.5	26.5	50			
13011-32-24SP	R2"X11	40	24	57	30	65			
13011-32-32SP	R2"X11	50	32	57	30	65			

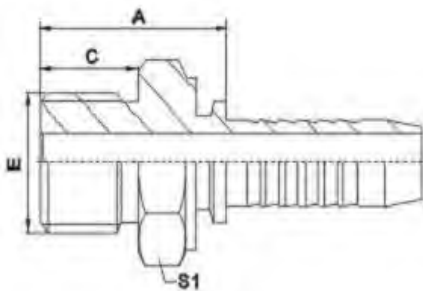
**Note:** 1. For use with braided hoses. 2. If use with spiral hoses, hose fitting series number is 13012-xx-xxSP .

### 1.2 -113 BSP Flat Seal

#### BSP Male O-Ring Seal

Number: 12211

Ref. BS 5200 - ISO 8434-6



PART NO.	THREAD E	HOSE BORE		O-RING	DIMENSIONS		
		DN	DASH		A	C	S1
12211-04-04	G1/4"X19	6	4	O111	23.5	11	19
12211-04-06	G1/4"X19	10	6	O111	23.5	11	19
12211-06-06	G3/8"X19	10	6	O113	26.5	12	22
12211-08-04	G1/2"X14	6	4	O115	33.5	14	27
12211-08-06	G1/2"X14	10	6	O115	33.5	14	27
12211-08-08	G1/2"X14	12	8	O115	34	14	27
12211-10-10	G5/8"X14	16	10	O910	36	15.5	30
12211-12-10	G3/4"X14	16	10	O119	33.5	15.5	32
12211-12-12	G3/4"X14	20	12	O119	38	15.5	32
12211-12-16	G3/4"X14	25	16	O119	36	15.5	32
12211-16-16	G1"X11	25	16	O217	44.5	18.5	41
12211-20-20	G1.1/4"X11	32	20	O222	46	20	50

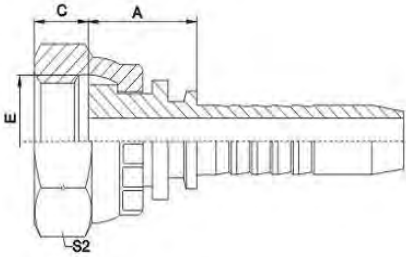
**Note:** 1. For use with braided hoses. 2. If use with spiral hoses, hose fitting series number is 12212-xx-xx .

### 1.2 -113 BSP Flat Seal

#### BSP Female Flat Seal

Number: 22211

Ref. BS 5200 - ISO 8434-6

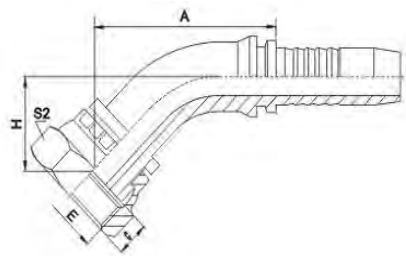


PART NO.	THREAD E	HOSE BORE		DIMENSIONS					
		DN	DASH	A	C	S2			
22211-04-04	G1/4"X19	6	4	15.5	8	19			
22211-04-06	G1/4"X19	10	6	15.5	8	19			
22211-06-04	G3/8"X19	6	4	17	9	22			
22211-06-05	G3/8"X19	8	5	17	9	22			
22211-06-06	G3/8"X19	10	6	16.5	9	22			
22211-06-08	G3/8"X19	12	8	17.5	9	22			
22211-08-06	G1/2"X14	10	6	18	10.5	27			
22211-08-08	G1/2"X14	12	8	18.5	10.5	27			
22211-10-08	G5/8"X14	12	8	20	12	30			
22211-10-10	G5/8"X14	16	10	21	12	30			
22211-12-08	G3/4"X14	12	8	20.5	13.5	32			
22211-12-10	G3/4"X14	16	10	21.5	13.5	32			
22211-12-12	G3/4"X14	20	12	21.5	13.5	32			
22211-16-12	G1"X11	20	12	21.5	15.5	41			
22211-16-16	G1"X11	25	16	23	15.5	41			
22211-20-20	G1.1/4"X11	32	20	26	15.5	50			
22211-24-24	G1.1/2"X11	40	24	27.5	17.5	55			
22211-32-32	G2"X11	50	32	30.5	23	70			

**Note:** 1.For use with braided hoses. 2. If use with spiral hoses, hose fitting series number is 22212-xx-xx.

#### 45° BSP Female Flat Seal

Number: 22241

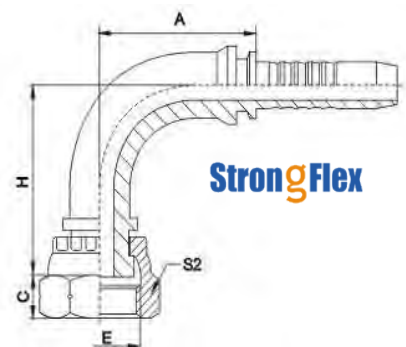


PART NO.	THREAD E	HOSE BORE		DIMENSIONS					
		DN	DASH	A	C	H	S2		
22241-04-04	G1/4"X19	6	4	40.9	8	18.8	19		
22241-06-06	G3/8"X19	10	6	45.3	9	21	22		
22241-08-08	G1/2"X14	12	8	58.9	10.5	24	27		
22241-12-12	G3/4"X14	20	12	77.4	13.5	30	32		
22241-16-16	G1"X11	25	16	82.7	15.5	31.5	41		
22241-20-20	G1.1/4"X11	32	20	97.3	15.5	36.6	50		

**Note:** 1.For use with braided hoses. 2. If use with spiral hoses, hose fitting series number is 22242-xx-xx.

#### 90° BSP Female Flat Seal

Number: 22291



PART NO.	THREAD E	HOSE BORE		DIMENSION S					
		DN	DASH	A	C	H	S2		
22291-04-04	G1/4"X19	6	4	30	8	34.5	19		
22291-06-06	G3/8"X19	10	6	35.3	9	41.3	22		
22291-08-08	G1/2"X14	12	8	41	10.5	48	27		
22291-12-12	G3/4"X14	20	12	65.5	13.5	63.5	32		
22291-16-16	G1"X11	25	16	76.7	15.5	70	41		
22291-20-20	G1.1/4"X11	32	20	91.5	15.5	82.5	50		
22291-24-24	G1.1/2"X11	40	24	109.4	17.5	98.5	55		

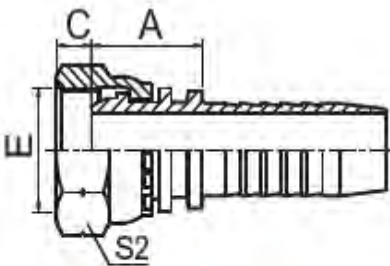
**Note:** 1.For use with braided hoses. 2. If use with spiral hoses, hose fitting series number is 22292-xx-xx.

#### 1.2 -114 BSP Multiseal

##### BSP Female Multiseal

Number: 22111

Ref. BS 5200 - ISO 8434-6



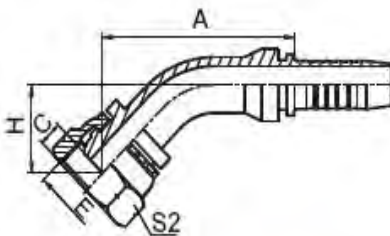
PART NO.	THREAD E	HOSE BORE		DIMENSIONS					
		DN	DASH	A	C	S2			
22111-02-04	G1/8"X28	6	4	19	2	14			
22111-04-03	G1/4"X19	5	3	19	4	19			
22111-04-04	G1/4"X19	6	4	19.5	4	19			
22111-06-05	G3/8"X19	8	5	20	5	22			
22111-06-06	G3/8"X19	10	6	20.5	5	22			
22111-06-08	G3/8"X19	12	8	21	5	22			
22111-08-08	G1/2"X14	12	8	23	6	27			
22111-08-10	G1/2"X14	16	10	24	6	27			
22111-10-10	G5/8"X14	16	10	25	8	30			
22111-10-12	G5/8"X14	20	12	25	8	30			
22111-12-10	G3/4"X14	16	10	26	9.5	32			
22111-12-12	G3/4"X14	20	12	26	9.5	32			
22111-16-14	G1"X11	22	14	26.5	11	41			
22111-16-16	G1"X11	25	16	28	11	41			
22111-20-16	G1.1/4"X11	25	16	27.5	11	50			
22111-20-20	G1.1/4"X11	32	20	31.5	10	50			
22111-24-24	G1.1/2"X11	40	24	37	11.5	55			
22111-32-32	G2"X11	50	32	34	15	70			

**Note:** 1. For use with braided hoses. 2. If use with spiral hoses, hose fitting series number is 22112-xx-xx .

##### 45° BSP Female Multiseal

Number: 22141

Ref. BS 5200 - ISO 8434-6



PART NO.	THREAD E	HOSE BORE		DIMENSIONS					
		DN	DASH	A	C	H	S2		
22141-02-04	G1/8"X28	6	4	43.7	2	21.6	14		
22141-04-03	G1/4"X19	5	3	41.3	4	20.4	19		
22141-04-04	G1/4"X19	6	4	43.7	4	21.6	19		
22141-06-05	G3/8"X19	8	5	46.2	5	22.9	22		
22141-06-06	G3/8"X19	10	6	48.1	5	23.9	22		
22141-06-08	G3/8"X19	12	8	60.4	5	25.4	22		
22141-08-08	G1/2"X14	12	8	61.8	6	26.8	27		
22141-08-10	G1/2"X14	16	10	73	6	29	27		
22141-10-10	G5/8"X14	16	10	73.7	8	28.9	30		
22141-10-12	G5/8"X14	20	12	79.8	8	32.5	30		
22141-12-10	G3/4"X14	16	10	70.4	9.5	29.6	32		
22141-12-12	G3/4"X14	20	12	80.6	9.5	33.2	32		
22141-16-12	G1"X11	20	12	81.6	11	33.5	41		
22141-16-14	G1"X11	22	14	83.3	11	33	41		
22141-16-16	G1"X11	25	16	89.2	11	35	41		
22141-20-16	G1.1/4"X11	25	16	91.4	9.1	37.1	50		
22141-20-20	G1.1/4"X11	32	20	102.9	10	41.2	50		
22141-24-24	G1.1/2"X11	40	24	119.8	11.5	49	55		
22141-32-32	G2"X11	50	32	137.4	15	53	70		

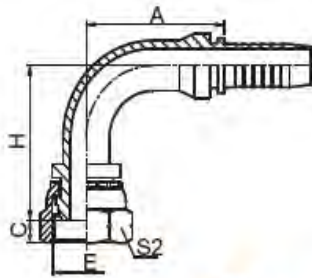
**Note:** 1. For use with braided hoses. 2. If use with spiral hoses, hose fitting series number is 22142-xx-xx.

### 1.2 -114 BSP Multiseal

#### 90° BSP Female Multiseal

Number: 22191

Ref. BS 5200 - ISO 8434-6



**StrongFlex**

PART NO.	THREAD E	HOSE BORE		DIMENSIONS					
		DN	DASH	A	C	H	S2		
22191-04-04	G1/4"X19	6	4	30	4	38.5	19		
22191-06-05	G3/8"X19	8	5	33	5	42	22		
22191-06-06	G3/8"X19	10	6	35.5	5	44.8	22		
22191-08-08	G1/2"X14	12	8	41	6	52	27		
22191-10-10	G5/8"X14	16	10	56.5	8	57.8	30		
22191-12-12	G3/4"X14	20	12	65.5	9.5	68	32		
22191-16-14	G1"X11	22	14	71.2	11	69.5	41		
22191-16-16	G1"X11	25	16	76.7	11	75	41		
22191-20-16	G1.1/4"X11	25	16	76.7	10	78	50		
22191-20-20	G1.1/4"X11	32	20	92.3	10	85.3	50		
22191-24-24	G1.1/2"X11	40	24	109.4	11.5	108	55		
22191-32-32	G2"X11	50	32	133.1	15	123.8	70		

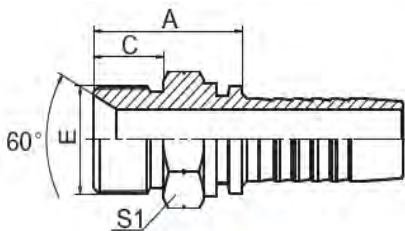
**Note:** 1. For use with braided hoses. 2. If use with spiral hoses, hose fitting series number is 22192-xx-xx.

### 1.2 -115 BSP 60° Cone Seal

#### BSP Male 60° Cone Seat

Number: 12611

Ref. BS 5200 - ISO 8434-6



**StrongFlex**

PART NO.	THREAD E	HOSE BORE		DIMENSIONS					
		DN	DASH	A	C	S1			
12611-02-03	G1/8"X28	5	3	22	10	12			
12611-04-04	G1/4"X19	6	4	24.5	12	14			
12611-06-05	G3/8"X19	8	5	26	13.5	17			
12611-06-06	G3/8"X19	10	6	27.5	13.5	17			
12611-06-08	G3/8"X19	12	8	26.5	13.5	19			
12611-08-06	G1/2"X14	10	6	30.5	16	22			
12611-08-08	G1/2"X14	12	8	31	16	22			
12611-10-08	G5/8"X14	12	8	32.5	17.5	24			
12611-10-10	G5/8"X14	16	10	33.5	17.5	24			
12611-12-08	G3/4"X14	12	8	35.5	18.5	27			
12611-12-10	G3/4"X14	16	10	37	18.5	27			
12611-12-12	G3/4"X14	20	12	36.5	18.5	27			
12611-16-12	G1"X11	20	12	40.5	20.5	36			
12611-16-16	G1"X11	25	16	41.5	20.5	36			
12611-20-16	G1.1/4"X11	25	16	43.5	20.5	46			
12611-20-20	G1.1/4"X11	32	20	44.5	20.5	46			
12611-24-20	G1.1/2"X11	32	20	49	23	50			
12611-24-24	G1.1/2"X11	40	24	46	23	50			
12611-32-32	G2"X11	50	32	53.5	25.5	65			
12611-32-32	G2"X11	51	32	25.5		65			

**Note:** 1. For use with braided hoses. 2. If use with spiral hoses, hose fitting series number is 12612-xx-xx

### 1.2 -115 BSP 60° Cone Seal

BSP Male Double USE For 60° Cone Seat OR Bonded Seal

Number: 12611A Ref. BS 5200 - ISO 8434-6	PART NO.	THREAD E	HOSE BORE		DIMENSIONS					
			DN	DASH	A	C	S1			
	12611A-04-04	G1/4"X19	6	4	24.5	12	19			
	12611A-04-05	G1/4"X19	8	5	24.5	12	19			
	12611A-06-06	G3/8"X19	8	5	26	13.5	22			
	12611A-06-06	G3/8"X19	10	6	28	13.5	22			
	12611A-06-08	G3/8"X19	12	8	28.5	13.5	22			
	12611A-08-06	G1/2"X14	10	6	33	16	27			
	12611A-08-08	G1/2"X14	12	8	33.5	16	27			
	12611A-08-10	G1/2"X14	16	10	32	16	27			
	12611A-10-08	G5/8"X14	12	8	35	17.5	30			
	12611A-10-10	G5/8"X14	16	10	36	17.5	30			
<p>One Piece Number: 12611A-FB</p>	12611A-12-10	G3/4"X14	16	10	37.5	18.5	32			
	12611A-12-12	G3/4"X14	20	12	37.5	18.5	32			
	12611A-16-12	G1"X11	20	12	42.5	20.5	41			
	12611A-16-16	G1"X11	25	16	43.5	20.5	41			
	12611A-20-16	G1.1/4"X11	25	16	45.5	20.5	50			
	12611A-20-20	G1.1/4"X11	32	20	46.5	20.5	50			
	12611A-24-24	G1.1/2"X11	40	24	49	23	55			
	12611A-32-32	G2"X11	50	32	54.5	25.5	70			

Note: 1. For use with braided hoses. 2. If use with spiral hoses, hose fitting series number is 12612A-xx-xx

BSP Female 60° Cone

Number: 22611 Ref. BS 5200 - ISO 8434-6	PART NO.	THREAD E	HOSE BORE		DIMENSIONS					
			DN	DASH	A	C	S2			
	22611-02-03	G1/8"X28	5	3	15	5.5	14			
	22611-04-03	G1/4"X19	5	3	17	5.5	19			
	22611-04-04	G1/4"X19	6	4	18	5.5	19			
	22611-06-05	G3/8"X19	8	5	19	6.3	22			
	22611-06-06	G3/8"X19	10	6	19.5	6.3	22			
	22611-06-08	G3/8"X19	12	8	19.5	6.3	22			
	22611-08-06	G1/2"X14	10	6	21.5	7.5	27			
	22611-08-08	G1/2"X14	12	8	21.5	7.5	27			
	22611-10-10	G5/8"X14	16	10	23.5	9.5	30			
	22611-12-12	G3/4"X14	20	12	24	10.9	32			
<p>One Piece Number: 22611-FB</p>	22611-16-12	G1"X11	20	12	24	11.7	41			
	22611-16-16	G1"X11	25	16	27	11.7	41			
	22611-20-16	G1.1/4"X11	25	16	27.5	11	50			
	22611-20-20	G1.1/4"X11	32	20	30.5	11	50			
	22611-24-20	G1.1/2"X11	32	20	32	13	55			
	22611-24-24	G1.1/2"X11	40	24	32	13	55			
	22611-32-24	G2"X11	40	24	30	16	70			
	22611-32-32	G2"X11	50	32	31.9	16	70			

Note: 1. For use with braided hoses. 2. If use with spiral hoses, hose fitting series number is 22612-xx-xx.

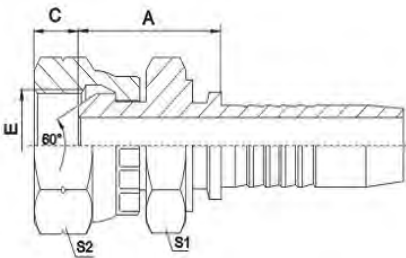


### 1.2 -115 BSP 60° Cone Seal

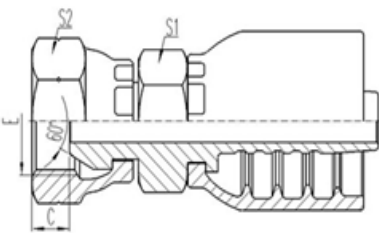
#### BSP Female 60° Cone Double Hexagon

Number: 22611D

Ref. BS 5200 - ISO 8434-6



One Piece Number: 22611D-FB



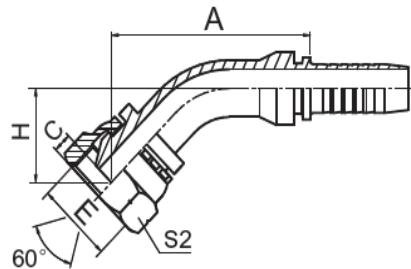
PART NO.	THREAD E	HOSE BORE		DIMENSIONS					
		DN	DASH	A	C	S1	S2		
22611D-04-04	G1/4"X19	6	4	23.5	5.5	19	19		
22611D-06-06	G3/8"X19	10	6	26.5	6.3	22	22		
22611D-08-08	G1/2"X14	12	8	31	7.5	27	27		
22611D-10-08	G5/8"X14	12	8	32	9.5	30	30		
22611D-12-08	G3/4"X14	12	8	33	10.9	32	32		
22611D-12-12	G3/4"X14	20	12	34	10.9	32	32		
22611D-16-16	G1"X11	25	16	35.5	11.7	41	41		
22611D-20-20	G1.1/4"X11	32	20	43.5	11	50	50		
22611D-04-04SM	G1/4"X19	6	4	23	5.5	14	19		
22611D-06-06SM	G3/8"X19	10	6	25	6.3	17	22		
22611D-08-08SM	G1/2"X14	12	8	28.5	7.5	22	27		
22611D-10-08SM	G5/8"X14	12	8	30	9.5	22	30		
22611D-12-08SM	G3/4"X14	12	8	32.1	10.9	27	32		
22611D-12-12SM	G3/4"X14	20	12	32.5	10.9	27	32		
22611D-16-16SM	G1"X11	25	16	36.3	11.7	32	41		
22611D-20-20SM	G1.1/4"X11	32	20	41.5	11	41	50		

Note: 1. For use with braided hoses. 2. If use with spiral hoses, hose fitting series number is 22612D-xx-xx.

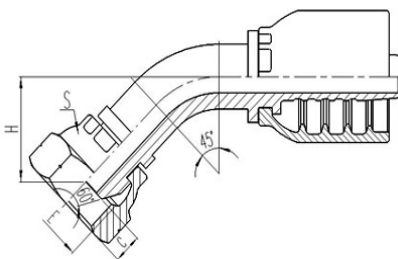
#### 45° BSP Female 60° Cone

Number: 22641

Ref. BS 5200 - ISO 8434-6



One Piece Number: 22641-FB



**StrongFlex**

PART NO.	THREAD E	HOSE BORE		DIMENSIONS					
		DN	DASH	A	C	H	S2		
22641-04-04	G1/4"X19	6	4	42.3	5.5	20.2	19		
22641-06-04	G3/8"X19	6	4	43.2	6.3	21	22		
22641-06-05	G3/8"X19	8	5	45.3	6.3	22	22		
22641-06-06	G3/8"X19	10	6	46.9	6.3	22.6	22		
22641-08-06	G1/2"X14	10	6	48.1	7.5	23.9	27		
22641-08-08	G1/2"X14	12	8	61.1	7.5	26.1	27		
22641-10-08	G5/8"X14	12	8	61.4	9.5	26.5	30		
22641-10-10	G5/8"X14	16	10	72.6	9.5	27.8	30		
22641-12-08	G3/4"X14	12	8	61.8	10.9	26.9	32		
22641-12-10	G3/4"X14	16	10	73	10.9	28.2	32		
22641-12-12	G3/4"X14	20	12	79.2	10.9	31.8	32		
22641-16-12	G1"X11	20	12	80.8	11.7	33.4	41		
22641-16-16	G1"X11	25	16	88.4	11.7	34.2	41		
22641-20-16	G1.1/4"X11	25	16	85.3	11	31.1	50		
22641-20-20	G1.1/4"X11	32	20	98.8	11	38	50		
22641-24-24	G1.1/2"X11	40	24	116.8	13	45.5	55		
22641-32-32	G2"X11	50	32	135.7	16	52.7	70		

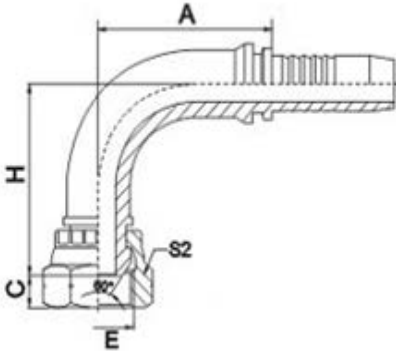
Note: 1. For use with braided hoses. 2. If use with spiral hoses, hose fitting series number is 22642-xx-xx.

### 1.2 -115 BSP 60° Cone Seal

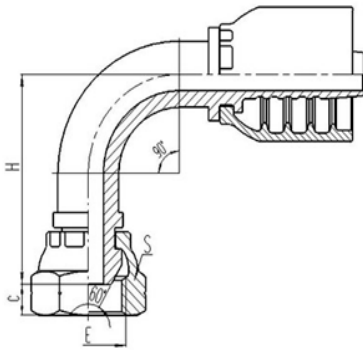
90° BSP Female 60° Cone

Number: 22691

Ref. BS 5200 - ISO 8434-6



One Piece Number: 22691-FB



PART NO.	THREAD E	HOSE BORE		DIMENSIONS					
		DN	DASH	A	C	H	S2		
22691-02-03	G1/8"X28	5	3	26.5	5.5	31.5	14		
22691-02-04	G1/8"X28	6	4	30	5.5	34.5	14		
22691-04-03	G1/4"X19	5	3	26.5	5.5	33.5	19		
22691-04-04	G1/4"X19	6	4	30	5.5	36.5	19		
22691-06-04	G3/8"X19	6	4	30	6.3	37.7	22		
22691-06-05	G3/8"X19	8	5	33	6.3	40.7	22		
22691-06-06	G3/8"X19	10	6	35.3	6.3	43	22		
22691-08-06	G1/2"X14	10	6	35.3	7	43.3	27		
22691-08-08	G1/2"X14	12	8	41	7.5	51	27		
22691-08-10	G1/2"X14	16	10	56.5	7.5	55.5	27		
22691-10-08	G5/8"X14	12	8	41	9.5	51.5	30		
22691-10-10	G5/8"X14	16	10	56.5	9.5	56	30		
22691-12-08	G3/4"X14	12	8	41	10.9	52.1	32		
22691-12-10	G3/4"X14	16	10	56.5	10.9	56.6	32		
22691-12-12	G3/4"X14	20	12	65.5	10.9	66	32		
22691-16-12	G1"X11	20	12	65.5	11.7	68.3	41		
22691-16-14	G1"X11	22	14	71.2	11.7	69.3	41		
22691-16-16	G1"X11	25	16	76.7	11.7	73.8	41		
22691-20-16	G1.1/4"X11	25	16	78	11	69.5	50		
22691-20-20	G1.1/4"X11	32	20	91.5	11	84.3	50		
22691-24-24	G1.1/2"X11	40	24	109.4	13	103	55		
22691-32-32	G2"X11	50	32	131.8	16	123.3	70		

**Note:** 1. For use with braided hoses. 2. If use with spiral hoses, hose fitting series number is 22692-xx-xx.

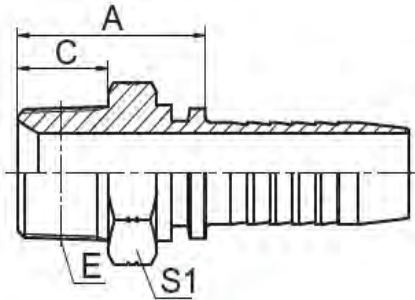


### 1.2 -116 American NPT

#### NPT Male

Number: 15611

Ref. SAE J514

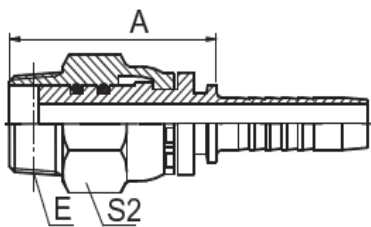


PART NO.	THREAD E	HOSE BORE		DIMENSIONS					
		DN	DASH	A	C	S1			
15611-02-03	Z1/8"X27	5	3	22.5	10.5	12			
15611-04-03	Z1/4"X18	5	3	27.5	15	17			
15611-04-04	Z1/4"X18	6	4	28	15	17			
15611-04-05	Z1/4"X18	8	5	28	15	17			
15611-06-04	Z3/8"X18	6	4	28	16	19			
15611-06-05	Z3/8"X18	8	5	28	16	19			
15611-06-06	Z3/8"X18	10	6	30	16	19			
15611-06-08	Z3/8"X18	12	8	30.5	16	19			
15611-08-06	Z1/2"X14	10	6	34.5	19.5	22			
15611-08-08	Z1/2"X14	12	8	34.5	19.5	22			
15611-12-08	Z3/8"X14	12	8	37.5	19.5	27			
15611-12-10	Z3/4"X14	16	10	38	19.5	27			
15611-12-12	Z3/4"X14	20	12	38.5	19.5	27			
15611-12-16	Z3/4"X14	25	16	39.5	19.5	32			
15611-16-10	Z1"X11.5	16	10	45	25.5	36			
15611-16-12	Z1"X11.5	20	12	45	25.5	36			
15611-16-16	Z1"X11.5	25	16	44.5	25.5	36			
15611-20-16	Z1.1/4"X11.5	25	16	49.5	26.5	46			
15611-20-20	Z1.1/4"X11.5	32	20	49	26.5	46			
15611-24-24	Z1.1/2"X11.5	40	24	51	27.5	50			
15611-32-32	Z2"X11.5	50	32	55	27.5	65			

**Note:** 1. For use with braided hoses. 2. If use with spiral hoses, hose fitting series number is 15612-xx-xx.

#### NPT Swivel Male

Number: 15611SW

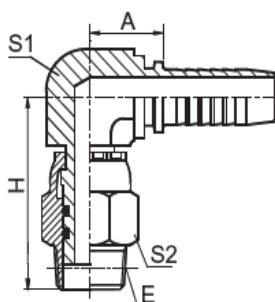


PART NO.	THREAD E	HOSE BORE		DIMENSIONS					
		DN	DASH	A	S2				
15611SW-04-04	Z1/4"X18	6	4	56	19				
15611SW-06-06	Z3/8"X18	10	6	60	22				
15611SW-08-08	Z1/2"X14	12	8	66	27				
15611SW-12-12	Z3/4"X14	20	12	68.4	32				

**Note:** 1. For use with braided hoses. 2. If use with spiral hoses, hose fitting series number is 15612SW -xx-xx.

#### 90° NPT Swivel Male

Number: 15691KSW

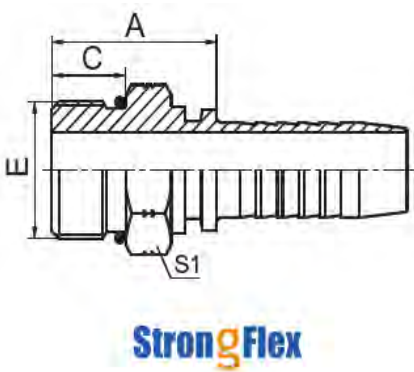



PART NO.	THREAD E	HOSE BORE		DIMENSIONS					
		DN	DASH	A	H	S1	S2		
15691KSW-04-04	Z1/4"X18	6	4	25	59.5	16	19		
15691KSW-06-06	Z3/8"X18	10	6	25	64.5	16	22		
15691KSW-08-08	Z1/2"X14	12	8	28.5	71.5	19	27		
15691KSW-12-12	Z3/4"X14	20	12	36	76.9	27	32		

**Note:** 1. For use with braided hoses. 2. If use with spiral hoses, hose fitting series number is 15612KSW -xx-xx.

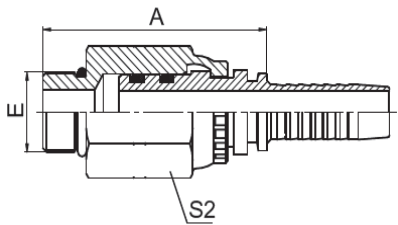
### 1.2 -117 SAE O-Ring Seal

#### SAE O-Ring Male Seal

<b>Number: 16011</b> <b>Ref. SAE J1926 - ISO 11926</b>  	PART NO.	THREAD E	HOSE BORE		DIMENSIONS					
			DN	DASH	A	C	S 1			
	16011-04-04	7/16"X20	6	4	21.5	9.1	14			
	16011-05-04	1/2"X20	6	4	21.5	9.1	17			
	16011-06-05	9/16"X18	8	5	22.5	9.9	17			
	16011-06-06	9/16"X18	10	6	22.5	9.9	17			
	16011-08-06	3/4"X16	10	6	24.5	11.1	22			
	16011-08-08	3/4"X16	12	8	25	11.1	22			
	16011-10-08	7/8"X14	12	8	29.5	12.7	27			
	16011-10-10	7/8"X14	16	10	30.5	12.7	27			
	16011-12-10	1.1/16"X12	16	10	34	15.1	32			
	16011-12-12	1.1/16"X12	20	12	34	15.1	32			
	16011-16-16	1.5/16"X12	25	16	36	15.1	38			

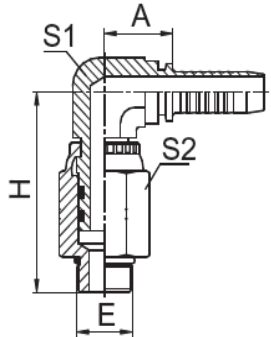
**Note:** 1.For use with braided hoses. 2. If use with spiral hoses, hose fitting series number is 16012-xx-xx.

#### SAE O-Ring Boss Swivel Male

<b>Number: 16011SW</b> <b>Ref. SAE J1926 - ISO 11926</b> 	PART NO.	THREAD E	HOSE BORE		O RING	DIMENSIONS			
			DN	DASH		A	S2		
	16011SW-08-06	3/4"X16	10	6	O908	57.5	27		
	16011SW-08-08	3/4"X16	12	8	O908	58	27		
	16011SW-10-08	7/8"X14	12	8	O910	59.5	27		
	16011SW-10-10	7/8"X14	16	10	O910	60.1	27		
	16011SW-12-10	1.1/16"X12	16	10	O912	64.9	32		
16011SW-12-12	1.1/16"X12	20	12	O912	64.9	32			

**Note:** 1.For use with braided hoses. 2. If use with spiral hoses, hose fitting series number is 16012SW -xx-xx.

#### 90°SAE O-Ring Boss Swivel Male

<b>Number: 16091KSW</b> <b>Ref. SAE J1926 - ISO 11926</b> 	PART NO.	THREAD E	HOSE BORE		O RING	DIMENSIONS			
			DN	DASH		A	H	S1	S2
	16091KSW-08-06	3/4"X16	10	6	O908	28.5	63.5	19	27
	16091KSW-08-08	3/4"X16	12	8	O908	28.5	63.5	19	27
	16091KSW-10-08	7/8"X14	12	8	O910	28.5	65	19	27
	16091KSW-10-10	7/8"X14	16	10	O910	30.5	65	22	27

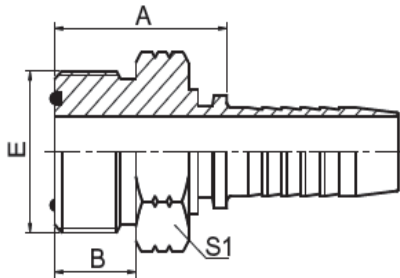
**Note:** 1.For use with braided hoses. 2. If use with spiral hoses, hose fitting series number is 16092KSW -xx-xx .

### 1.2 -118 American ORFS

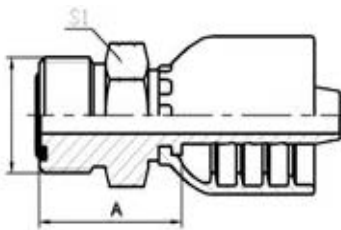
#### ORFS Male O-Ring Seal

Number: 14211

Ref. SAE J1453 - ISO 8434-3



One Piece Number: 14211-FB



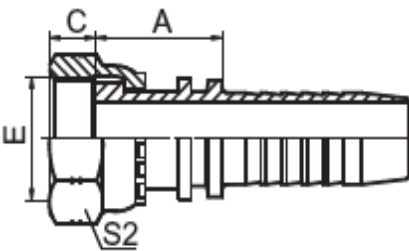
PART NO.	THREAD E	HOSE BORE		O-RING	DIMENSIONS		
		DN	DASH		A	C	S1
14211-04-04	9/16"X18	6	4	O011	22.3	9.8	17
14211-06-04	11/16"X16	6	4	O012	24	11.2	19
14211-06-06	11/16"X16	10	6	O012	24	11.2	19
14211-08-06	13/16"X16	10	6	O014	27.5	12.8	22
14211-08-08	13/16"X16	12	8	O014	28.5	12.8	22
14211-08-10	13/16"X16	16	10	O014	28.5	12.8	22
14211-10-08	1"X14	12	8	O016	32.5	15.5	27
14211-10-10	1"X14	16	10	O016	34	15.5	27
14211-12-08	1.3/16"X12	12	8	O018	35.5	17	32
14211-12-10	1.3/16"X12	16	10	O018	36.5	17	32
14211-12-12	1.3/16"X12	20	12	O018	36.5	17	32
14211-16-12	1.7/16"X12	20	12	O021	37	17.5	38
14211-16-16	1.7/16"X12	25	16	O021	38.5	17.5	38
14211-20-20	1.11/16"X12	32	20	O025	41.5	17.5	46
14211-24-24	2"X12	40	24	O029	43.5	17.5	55

**Note:** 1. For use with braided hoses. 2. If use with spiral hoses, hose fitting series number is 14212-xx-xx.

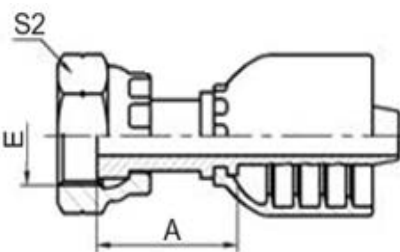
#### ORFS Female Flat Seat

Number: 24211

Ref. SAE J516 - ISO 12151-1



One Piece Number: 24211-FB



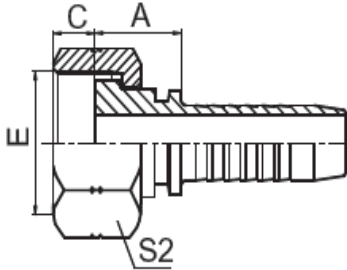
PART NO.	THREAD E	HOSE BORE		DIMENSIONS		
		DN	DASH	A	C	S2
24211-04-04	9/16"X18	6	4	22.5	8.5	19
24211-04-05	9/16"X18	8	5	22.5	8.5	19
24211-04-06	9/16"X18	10	6	22.5	8.5	19
24211-06-06	11/16"X16	10	6	23.5	10	22
24211-06-08	11/16"X16	12	8	26	10	22
24211-08-08	13/16"X16	12	8	28	11	27
24211-08-10	13/16"X16	16	10	29	11	27
21211-10-10	1"X14	16	10	33.5	13.5	30
24211-10-12	1"X14	20	12	33.5	13.5	30
24211-12-12	1.3/16"X12	20	12	35	15	36
24211-12-16	1.3/16"X12	25	16	36	15	36
24211-16-20	1.7/16"X12	32	20	39.5	14.8	41
24211-20-20	1.11/16"X12	32	20	39.5	15	50
24211-20-24	1.11/16"X12	40	24	39.5	15	50
24211-24-20	2"X12	32	20	36	14.8	60
24211-24-24	2"X12	40	24	36	14.8	60

**Note:** 1. For use with braided hoses. 2. If use with spiral hoses, hose fitting series number is 24212-xx-xx.

### 1.2 -118 American ORFS

#### ORFS Female Flat Seat

Number: 24211-T  
Ref. SAE J516 - ISO 12151-1

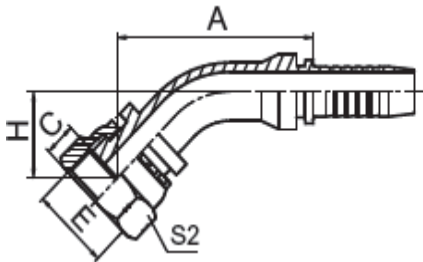


PART NO.	THREAD E	HOSE BORE		DIMENSIONS					
		DN	DASH	A	C	S2			
24211-06-04T	11/16"X16	6	4	23.5	10	22			
24211-06-05T	11/16"X16	8	5	23.5	10	22			
24211-08-05T	13/16"X16	8	5	25	11	27			
24211-08-06T	13/16"X16	10	6	25	11	27			
24211-10-08T	1"X14	12	8	29.5	13.5	30			
24211-12-08T	1.3/16"X12	12	8	30.5	15	36			
24211-12-10T	1.3/16"X12	16	10	31.5	15	36			
24211-16-12T	1.7/16"X12	20	12	35	14.8	41			
24211-16-14T	1.7/16"X12	22	14	34	14.8	41			
24211-16-16T	1.7/16"X12	25	16	35	14.8	41			
24211-20-16T	1.11/16"X12	25	16	35	15	50			
24211-24-20T	2"X12	32	20	36	14.8	60			
24211-24-24T	2"X12	40	24	36	14.8	60			

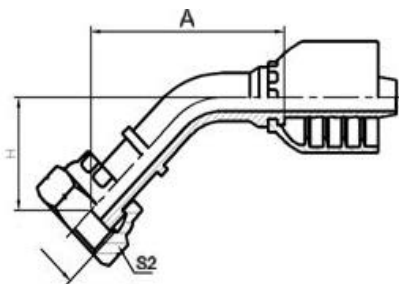
Note: 1. For use with braided hoses. 2. If use with spiral hoses, hose fitting series number is 24212-xx-xxT.

#### 45° ORFS Female Flat Seat

Number: 24241  
Ref. SAE J516 - ISO 12151-1



One Piece Number: 24241-FB



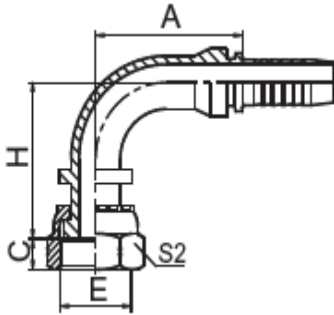
PART NO.	THREAD E	HOSE BORE		DIMENSIONS					
		DN	DASH	C	S	H			
24241-04-04	9/16"X18	6	4	8.5	19	23.4			
24241-06-06	11/16"X16	10	6	10	22	27.4			
24241-08-08	13/16"X16	12	8	11	27	30.4			
24241-10-10	1"X14	16	10	13	30	34.9			
24241-12-12	1.3/16"X12	20	12	15	36	39.5			
24241-20-20	1.11/16"X12	32	20	15	50	46.1			
24241-16-16	1.7/16"X12	25	16	14.8	41	29.7			
24241-24-24	2"X12	38	24	14.8	60	37.7			
24241-04-04FB	9/16"X18	6	4	8.5	19	23.4			
24241-06-06FB	11/16"X16	10	6	10	22	27.4			
24241-08-08FB	13/16"X16	12	8	11	27	30.4			
24241-10-10FB	1"X14	16	10	13	30	34.9			
24241-12-12FB	1.3/16"X12	20	12	15	36	39.5			
24241-20-20FB	1.11/16"X12	32	20	15	50	46.1			
24241-16-16FB	1.7/16"X12	25	16	14.8	41	29.7			
24241-24-24FB	2"X12	38	24	14.8	60	37.7			

Note: 1. For use with braided hoses. 2. If use with spiral hoses, hose fitting series number is 24242-xx-xx.

### 1.2 -118 American ORFS

#### 90° ORFS Female Flat Seat

Number: 24291



One Piece Number: 24291-FB



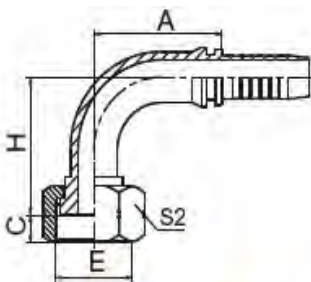
PART NO.	THREAD E	HOSE BORE		DIMENSIONS					
		DN	DASH	A	H	C	S2		
24291-04-04	9/16"X18	6	4	30	41	8.5	19		
24291-04-05	9/16"X18	8	5	33	44	8.5	19		
24291-04-06	9/16"X18	10	6	35.3	46.3	8.5	19		
24291-06-06	11/16"X16	10	6	35.3	49.8	10	22		
24291-06-08	11/16"X16	12	8	41	55	10	22		
24291-08-08	13/16"X16	12	8	41	57	11	27		
24291-08-10	13/16"X16	16	10	56.5	61.5	11	27		
24291-10-10	1"X14	16	10	56.5	66	13.5	30		
24291-10-12	1"X14	20	12	65.5	75.5	13.5	30		
24291-12-12	1.3/16"X12	20	12	65.5	77	15	36		
24291-12-16	1.3/16"X12	25	16	76.7	83.5	15	36		
24291-16-20	1.7/16"X12	32	20	91.5	96	14.8	41		
24291-20-20	1.11/16"X12	32	20	93	100	15	50		
24291-20-24	1.11/16"X12	40	24	109.4	113.5	15	50		

**Note:** 1. For use with braided hoses. 2. If use with spiral hoses, hose fitting series number is 2429 2-xx-xx.

#### 90° ORFS Female Flat Seat

Number: 24291-T

Ref. SAE J516 - ISO 12151-1



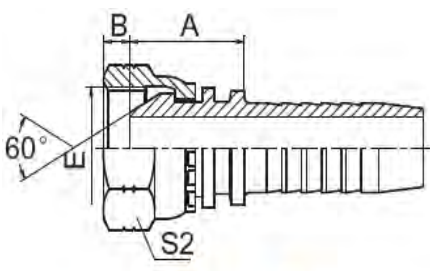

**StrongFlex**

PART NO.	THREAD E	HOSE BORE		DIMENSIONS					
		DN	DASH	A	H	C	S2		
24291-06-05T	11/16"X16	8	5	33	37.5	10	22		
24291-08-06T	13/16"X16	10	6	35.3	39.8	11	27		
24291-10-08T	1"X14	12	8	41	46	13.5	30		
24291-12-10T	1.3/16"X12	16	10	56.5	51.5	15	36		
24291-16-12T	1.7/16"X12	20	12	65.5	63	14.8	41		
24291-16-14T	1.7/16"X12	22	14	71.2	63	14.8	41		
24291-16-16T	1.7/16"X12	25	16	76.9	67.5	14.8	41		
24291-20-16T	1.11/16"X12	25	16	76.7	67.5	15	50		
24291-24-20T	2"X12	32	20	91.5	78.5	14.8	60		
24291-24-24T	2"X12	40	24	109.4	92	14.8	60		

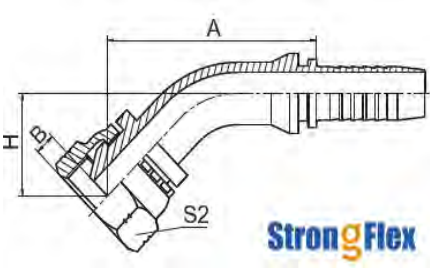

**Note:** 1. For use with braided hoses. 2. If use with spiral hoses, hose fitting series number is 24292 -xx-xxT.

### 1.2 -119 American NPSM 60°

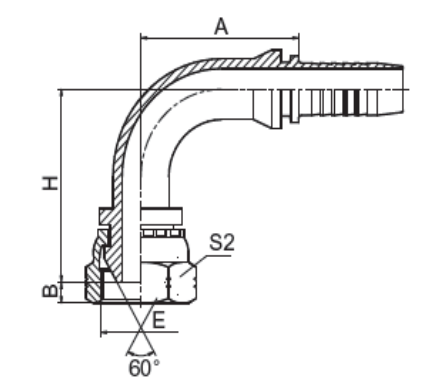

#### NPSM Female 60° Cone

<b>Number: 21611</b> <b>Ref. SAE J514</b>  	PART NO.	THREAD E	HOSE BORE		DIMENSIONS					
			DN	DASH	A	B	S2			
	21611-04-04	1/4"X18	6	4	22	4.6	19			
	21611-06-04	3/8"X18	6	4	23	6	22			
	21611-06-05	3/8"X18	8	5	23	6	22			
	21611-06-06	3/8"X18	10	6	23	6	22			
	21611-08-08	1/2"X14	12	8	23.5	7.5	27			
	21611-12-10	3/4"X14	16	10	27	8.9	32			
	21611-12-12	3/4"X14	20	12	27	8.9	32			
	21611-16-12	1"X11.5	20	12	25	10.5	41			
21611-16-16	1"X11.5	25	16	28.5	10.5	41				
21611-20-20	1.1/4"X11.5	32	20	29.5	11.2	50				
<b>Note:</b> 1.For use with braided hoses. 2. If use with spiral hoses, hose fitting series number is 21612-xx-xx.	21611-24-20	1.1/2"X11.5	32	20	29.5	11.2	55			
	21611-24-24	1.1/2"X11.5	40	24	31.5	11.2	55			
	21611-32-32	2"X11.5	50	32	31	11.2	70			

#### 45° NPSM Female 60° Cone

<b>Number: 21641</b> <b>Ref. SAE J514</b>  	PART NO.	THREAD E	HOSE BORE		DIMENSIONS					
			DN	DASH	A	B	H	S2		
	21641-04-04	1/4"X18	6	4	45.1	4.6	23	19		
	21641-06-06	3/8"X18	10	6	47.2	6	24.9	22		
	21641-08-08	1/2"X14	12	8	62.7	7.5	27.7	27		
	21641-12-12	3/4"X14	20	12	81.4	8.9	34	32		
	21641-16-16	1"X11.5	25	16	89.2	10.5	35	41		
	21641-20-20	1.1/4"X11.5	32	20	99.8	11.2	39.3	50		
	21641-24-24	1.1/2"X11.5	40	24	115.1	11.2	44.4	55		
	21641-32-32	2"X11.5	50	32	136.4	11.2	63.4	70		
<b>Note:</b> 1.For use with braided hoses. 2. If use with spiral hoses, hose fitting series number is 21642-xx-xx.										

#### 90° NPSM Female 60° Cone

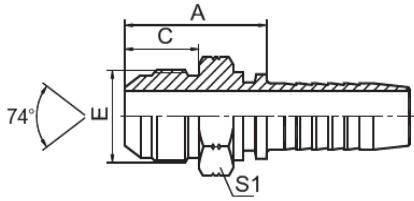
<b>Number: 21691</b> <b>Ref. SAE J514</b>  	PART NO.	THREAD E	HOSE BORE		DIMENSIONS					
			DN	DASH	A	B	H	S2		
	21691-04-04	1/4"X18	6	4	30	4.5	40.5	19		
	21691-06-04	3/8"X18	6	4	30	6	37.7	22		
	21691-06-05	3/8"X18	8	5	34	6	40.7	22		
	21691-06-06	3/8"X18	10	6	35.3	6	45.3	22		
	21691-08-08	1/2"X14	12	8	41	7.5	53.2	27		
	21691-12-10	3/4"X14	16	10	56.5	8.9	53.5	32		
	21691-12-12	3/4"X14	20	12	65.5	8.9	69.1	32		
	21691-16-12	1"X11.5	20	12	65.5	10.5	64.5	41		
21691-16-16	1"X11.5	25	16	76.7	10.5	75	41			
21691-20-20	1.1/4"X11.5	32	20	91.5	11.2	86	50			
<b>Note:</b> 1.For use with braided hoses. 2. If use with spiral hoses, hose fitting series number is 21692-xx-xx.	21691-24-20	1.1/2"X11.5	32	20	91.5	11.2	83.5	55		
	21691-24-24	1.1/2"X11.5	40	24	109.4	11.2	101.5	55		
	21691-32-32	2"X11.5	50	32	131.8	11.2	124.5	70		

### 1.2 -120 American JIC 74°

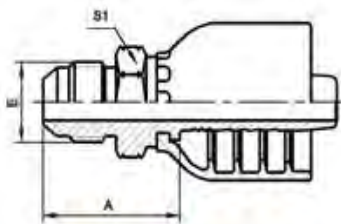
#### JIC Male 74° Cone

Number: 16711

Ref. SAE J514 - ISO 8434-2



One Piece Number: 16711-FB



PART NO.	THREAD E	HOSE BORE		DIMENSIONS					
		DN	DASH	A	C	S1			
16711-04-03	7/16"X20	5	3	26	14	12			
16711-04-04	7/16"X20	6	4	26.5	14	12			
16711-05-04	1/2"X20	6	4	26.5	14	14			
16711-05-05	1/2"X20	8	5	26.5	14	14			
16711-05-06	1/2"X20	10	6	26.5	14	17			
16711-06-04	9/16"X18	6	4	26.5	14.1	17			
16711-06-05	9/16"X18	8	5	26.5	14.1	17			
16711-06-06	9/16"X18	10	6	26.5	14.1	17			
16711-08-06	3/4"X16	10	6	31.5	16.7	22			
16711-08-08	3/4"X16	12	8	32	16.7	22			
16711-10-06	7/8"X14	10	6	32	19.3	24			
16711-10-08	7/8"X14	12	8	34.3	19.3	24			
16711-10-10	7/8"X14	16	10	35.5	19.3	24			
16711-12-08	1.1/16"X12	12	8	39	21.9	27			
16711-12-10	1.1/16"X12	16	10	40	21.9	27			
16711-12-12	1.1/16"X12	20	12	40	21.9	27			
16711-12-16	1.1/16"X12	25	16	41	21.9	30			
16711-14-10	1.3/16"X12	16	10	41.5	22.6	32			
16711-14-12	1.3/16"X12	20	12	40.6	22.6	32			
16711-16-12	1.5/16"X12	20	12	42.5	23.1	36			
16711-16-16	1.5/16"X12	25	16	43.5	23.1	36			
16711-20-16	1.5/8"X12	25	16	46.5	24.3	46			
16711-20-20	1.5/8"X12	32	20	47.5	24.3	46			
16711-24-20	1.7/8"X12	32	20	53	27.5	50			
16711-24-24	1.7/8"X12	40	24	53	27.5	50			
16711-32-32	2.1/2"X12	50	32	62	33.9	65			

**Note:** 1. For use with braided hoses. 2. If use with spiral hoses, hose fitting series number is 16712-xx-xx.

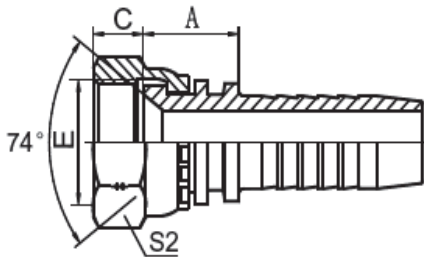


### 1.2 -120 American JIC 74°

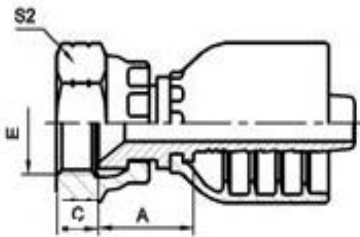
#### JIC Female 74° Cone Seat

Number: 26711

Ref. SAE J514 - ISO 8434-2



One Piece Number: 16711-FB



PART NO.	THREAD E	HOSE BORE		DIMENSIONS					
		DN	DASH	A	C	S2			
26711-04-03	7/16"X20	5	3	14.5	9	15			
26711-04-04	7/16"X20	6	4	15	9	15			
26711-05-04	1/2"X20	6	4	15.5	9.5	17			
26711-05-05	1/2"X20	8	5	15.5	9.5	17			
26711-05-06	1/2"X20	10	6	15.5	9.5	17			
26711-06-04	9/16"X18	6	4	15.5	10.5	19			
26711-06-05	9/16"X18	8	5	15.5	10.5	19			
26711-06-06	9/16"X18	10	6	15.5	10.5	19			
26711-06-08	9/16"X18	12	8	16	10.5	19			
26711-08-06	3/4"X16	10	6	17.5	11	24			
26711-08-08	3/4"X16	12	8	18	11	24			
26711-08-10	3/4"X16	16	10	19.5	11	24			
26711-10-08	7/8"X14	12	8	18.5	13	27			
26711-10-10	7/8"X14	16	10	20	13	27			
26711-10-12	7/8"X14	20	12	20	13	27			
26711-12-08	1.1/16"X12	12	8	19	15	32			
26711-12-10	1.1/16"X12	16	10	21.5	15	32			
26711-12-12	1.1/16"X12	20	12	21.5	15	32			
26711-12-16	1.1/16"X12	25	16	23	15	32			
26711-14-12	1.1/16"X12	20	12	21.5	15	36			
26711-16-12	1.5/16"X12	20	12	18.5	16	41			
26711-16-16	1.5/16"X12	25	16	23	16	41			
26711-16-20	1.5/16"X12	32	20	24	16	41			
26711-20-16	1.5/8"X12	25	16	23	17	50			
26711-20-20	1.5/8"X12	32	20	26	17	50			
26711-24-20	1.7/8"X12	32	20	26.5	20	55			
26711-24-24	1.7/8"X12	40	24	26.5	20	55			
26711-32-24	2.1/2"X12	40	24	27	23.5	75			
26711-32-32	2.1/2"X12	50	32	27	23.5	75			

**Note:** 1. For use with braided hoses. 2. If use with spiral hoses, hose fitting series number is 26712-xx-xx.

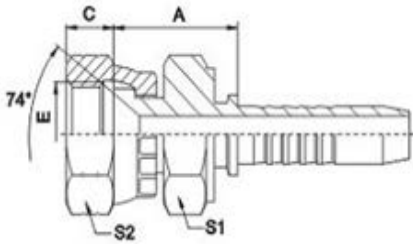


### 1.2 -120 American JIC 74°

#### JIC Female 74° Cone Seat Double Hexagon

Number: 26711D

Ref. SAE J514 - ISO 8434-2



One Piece Number: 26711D-FB



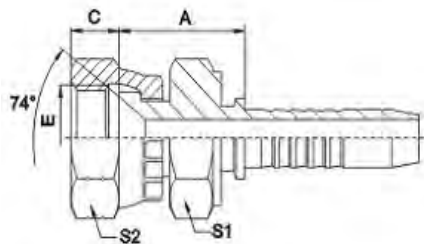
PART NO.	THREAD E	HOSE BORE		DIMENSIONS					
		DN	DASH	A	C	S1	S2		
26711D-04-04	7/16"X20	6	4	20	9	15	15		
26711D-05-04	1/2"X20	6	4	20.5	9.5	17	17		
26711D-06-04	9/16"X18	6	4	21	10.5	19	19		
26711D-06-06	9/16"X18	10	6	21	10.5	19	19		
26711D-08-06	3/4"X16	10	6	25	11	24	24		
26711D-08-08	3/4"X16	12	8	24.5	11	24	24		
26711D-08-10	3/4"X16	16	10	25.5	11	24	24		
26711D-10-08	7/8"X14	12	8	28	13	27	27		
26711D-10-10	7/8"X14	16	10	29	13	27	27		
26711D-12-12	1.1/16"X12	20	12	31.5	15	32	32		
26711D-16-12	1.5/16"X12	20	12	33.5	16	41	41		
26711D-16-16	1.5/16"X12	25	16	34.5	16	41	41		
26711D-16-20	1.5/16"X12	32	20	36.5	16	41	41		
26711D-20-20	1.7/16"X12	32	20	39	17	50	50		

**Note:** 1. For use with braided hoses. 2. If use with spiral hoses, hose fitting series number is 26712D -xx-xx.

#### JIC Female 74° Cone Seat Double Hexagon

Number: 26711D-SM

Ref. SAE J514 - ISO 8434-2



PART NO.	THREAD E	HOSE BORE		DIMENSIONS					
		DN	DASH	A	C	S1	S2		
26711D-04-04SM	7/16"X20	6	4	20	9	12	15		
26711D-05-04SM	1/2"X20	6	4	20.5	9.5	12	17		
26711D-06-04SM	9/16"X18	6	4	21	10.5	14	19		
26711D-06-06SM	9/16"X18	10	6	21	10.5	17	19		
26711D-08-06SM	3/4"X16	10	6	23	11	19	24		
26711D-08-08SM	3/4"X16	12	8	24.5	11	22	24		
26711D-08-10SM	3/4"X16	16	10	25.5	11	22	24		
26711D-10-08SM	7/8"X14	12	8	24	13	22	27		
26711D-10-10SM	7/8"X14	16	10	27	13	22	27		
26711D-12-12SM	1.1/16"X12	20	12	31.5	15	27	32		
26711D-16-12SM	1.5/16"X12	20	12	31.5	16	32	41		
26711D-16-16SM	1.5/16"X12	25	16	32.5	16	32	41		
26711D-20-20SM	1.7/16"X12	32	20	37	17	41	50		

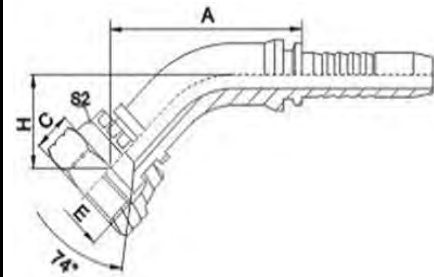
**Note:** 1. For use with braided hoses. 2. If use with spiral hoses, hose fitting series number is 26712D -xx-xxSM.

### 1.2 -120 American JIC 74°

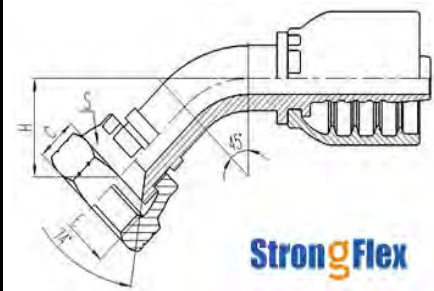
#### 45° JIC Female 74° Cone Seat

Number: 26741

Ref. SAE J514 - ISO 8434-2



One Piece Number: 26741-FB

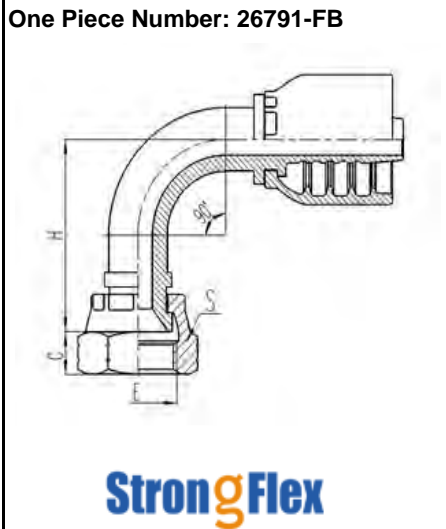
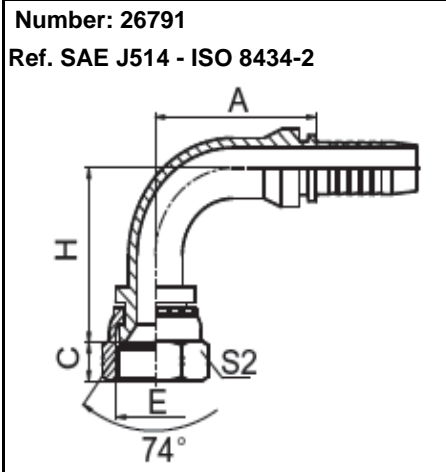


PART NO.	THREAD E	HOSE BORE		DIMENSIONS					
		DN	DASH	A	C	H	S2		
26741-04-03	7/16"X20	5	3	37.6	9	17.2	15		
26741-04-04	7/16"X20	6	4	40.2	9	18.1	15		
26741-05-04	1/2"X20	6	4	40.5	9.5	18.5	17		
26741-05-05	1/2"X20	8	5	42.7	9.5	19.3	17		
26741-05-06	1/2"X20	10	6	44.6	9.5	20.3	17		
26741-06-04	9/16"X18	6	4	40.5	10.5	18.5	19		
26741-06-05	9/16"X18	8	5	42.7	10.5	19.3	19		
26741-06-06	9/16"X18	10	6	44.3	10.5	20	19		
26741-06-08	9/16"X18	12	8	56.8	10.5	21.9	19		
26741-08-06	3/4"X16	10	6	45.7	11	21.4	24		
26741-08-08	3/4"X16	12	8	58.6	11	23.5	24		
26741-10-08	7/8"X14	12	8	58.9	13	24	27		
26741-10-10	7/8"X14	16	10	70.1	13	25.3	27		
26741-10-12	7/8"X14	20	12	77	13	28.9	27		
26741-12-08	1.1/16"X12	12	8	60	15	25	32		
26741-12-10	1.1/16"X12	16	10	71.2	15	26.4	32		
26741-12-12	1.1/16"X12	20	12	77.4	15	30	32		
26741-12-16	1.1/16"X12	25	16	85.3	15	31	32		
26741-14-12	1.3/16"X12	20	12	77.4	15	30	36		
26741-16-12	1.5/16"X12	20	12	77.4	16	30	41		
26741-16-16	1.5/16"X12	25	16	85.7	16	31.5	41		
26741-16-20	1.5/16"X12	32	20	96.3	16	35.5	41		
26741-20-20	1.5/8"X12	32	20	96.6	17	35.9	50		
26741-24-20	1.7/8"X12	32	20	100.8	20	40.1	55		
26741-24-24	1.7/8"X12	40	24	114.8	20	44.1	55		
26741-32-32	2.1/2"X12	50	32	135.9	23.5	51.6	75		

**Note:** 1. For use with braided hoses. 2. If use with spiral hoses, hose fitting series number is 26742-xx-xx .

### 1.2 -120 American JIC 74°

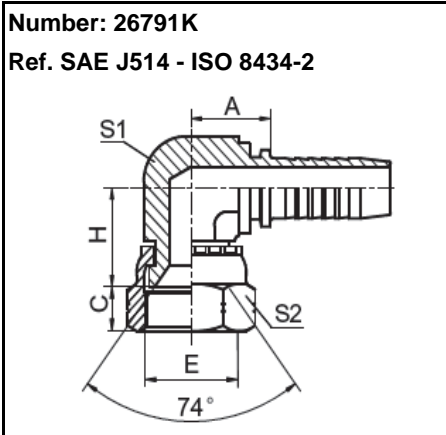
#### 90°JIC Female 74° Cone Seat



PART NO.	THREAD E	HOSE BORE		DIMENSIONS					
		DN	DASH	A	C	H	S2		
26791-04-03	7/16"X20	5	3	26.5	9	30.5	15		
26791-04-04	7/16"X20	6	4	30	9	33.5	15		
26791-05-04	1/2"X20	6	4	30	9.5	34	17		
26791-05-05	1/2"X20	8	5	33	9.5	37	17		
26791-05-06	1/2"X20	10	6	35.3	9.5	39.3	17		
26791-06-04	9/16"X18	6	4	30	10.5	34	19		
26791-06-05	9/16"X18	8	5	33	10.5	37	19		
26791-06-06	9/16"X18	10	6	35.3	10.5	39.3	19		
26791-06-08	9/16"X18	12	8	41	10.5	45.5	19		
26791-08-06	3/4"X16	10	6	35.3	11	41.3	24		
26791-08-08	3/4"X16	12	8	41	11	47	24		
26791-08-10	3/4"X16	16	10	56.5	11	51.5	24		
26791-10-08	7/8"X14	12	8	41	13	48	27		
26791-10-10	7/8"X14	16	10	56.5	13	52.5	27		
26791-10-12	7/8"X14	20	12	67	13	64	27		
26791-12-08	1.1/16"X12	12	8	41	15	49.5	32		
26791-12-10	1.1/16"X12	16	10	56.5	15	54	32		
26791-12-12	1.1/16"X12	20	12	65.5	15	63.5	32		
26791-12-16	1.1/16"X12	25	16	76.7	15	70	32		
26791-14-12	1.3/16"X12	20	12	65.5	15	63.5	36		
26791-16-12	1.5/16"X12	20	12	65.5	16	63.5	41		
26791-16-16	1.5/16"X12	25	16	76.7	16	70	41		
26791-16-20	1.5/16"X12	32	20	91.5	16	81	41		
26791-20-20	1.5/8"X12	32	20	91.5	17	80.5	50		
26791-24-20	1.7/8"X12	32	20	91.5	20	79.5	55		
26791-24-24	1.7/8"X12	40	24	109.4	20	94	55		
26791-32-32	2.1/2"X12	50	32	133.1	23.5	121.8	75		

**Note:** 1. For use with braided hoses. 2. If use with spiral hoses, hose fitting series number is 26792-xx-xx.

#### 90°JIC Compact Female 74° Cone Seat



PART NO.	THREAD E	HOSE BORE		DIMENSIONS				
		DN	DASH	A	C	H	S1	S2
26791K-04-04	7/16"X20	6	4	17.5	9	18	11	15
26791K-06-04	9/16"X18	6	4	19	10.5	21	14	19
26791K-06-06	9/16"X18	10	6	20	10.5	21	16	19
26791K-08-06	3/4"X16	10	6	23	11	25	19	24
26791K-08-08	3/4"X16	11	8	23.5	11	25	22	24
26791K-10-08	7/8"X14	12	8	23.5	13	27.5	22	27
26791K-10-10	7/8"X14	16	10	25	13	27.5	22	27
26791K-12-12	1.1/16"X12	20	12	27.5	15	30	27	32
26791K-16-16	1.5/16"X12	25	16	43	16	34.3	33	41

**Note:** 1. For use with braided hoses. 2. If use with spiral hoses, hose fitting series number is 26792K-xx-xx.

### 1.2 -121 American SAE 90°

#### SAE Male 90°Cone

<b>Number: 17811</b> <b>Ref. SAE J513</b> 	PART NO.	THREAD E	HOSE BORE		DIMENSIONS					
			DN	DASH	A	C	S1			
	17811-04-04	7/16"X20	6	4	25.5	12.7	12			
	17811-05-05	1/2"X20	8	5	27	14.2	14			
	17811-06-06	5/8"X18	10	6	28.5	15.7	17			
	17811-08-08	3/4"X18	12	8	34	19	22			
	17811-10-10	7/8"X16	16	10	38.5	22.4	24			
17811-12-12	1.1/16"X12	20	12	43.5	25.4	30				

**Note:** 1.For use with braided hoses. 2. If use with spiral hoses, hose fitting series number is 17812-xx-xx.

#### SAE Female 90°Cone

<b>Number: 27811</b> <b>Ref. SAE J513</b> 	PART NO.	THREAD E	HOSE BORE		DIMENSIONS					
			DN	DASH	A	C	S2			
	27811-04-04	7/16"X20	6	4	15	9	15			
	27811-05-05	1/2"X20	8	5	15.5	9.5	17			
	27811-06-06	5/8"X18	10	6	17	11.3	22			
	27811-08-08	3/4"X18	12	8	18	11	24			
	27811-10-10	7/8"X16	16	10	20	13	27			
27811-12-12	1.1/16"X12	20	12	21.5	14.3	32				

**Note:** 1.For use with braided hoses. 2. If use with spiral hoses, hose fitting series number is 27812-xx-xx.

#### 45° SAE Female 90°Cone

<b>Number: 27841</b> 	PART NO.	THREAD E	HOSE BORE		DIMENSIONS					
			DN	DASH	A	C	H	S1		
	27841-04-03	7/16"X20	5	3	37.6	9	17.2	15		
	27841-06-04	5/8"X20	6	4	42	11.3	19.9	17		
	27841-06-06	5/8"X18	10	6	45.7	11.3	21.4	22		
	27841-08-08	3/4"X18	12	8	58.2	11	23.3	24		
	27841-10-10	7/8"X16	16	10	69.4	13	24.6	27		
27841-12-12	1.1/16"X12	20	12	76.8	14.3	30	32			

**Note:** 1.For use with braided hoses. 2. If use with spiral hoses, hose fitting series number is 27842-xx-xx.

#### 90° SAE Female 90°Cone

<b>Number: 27891</b> 	PART NO.	THREAD E	HOSE BORE		DIMENSIONS					
			DN	DASH	A	C	H	S2		
	27891-04-03	7/16"X20	5	3	26.5	9	30.5	15		
	27891-06-04	5/8"X20	6	4	30	11.3	36	22		
	27891-06-06	5/8"X18	10	6	35.3	11.3	41.3	22		
	27891-10-08	7/8"X18	12	8	41	13	47	27		
	27891-10-10	7/8"X16	16	10	56.5	13	51.5	27		
27891-12-12	1.1/16"X12	20	12	65.5	14.3	63.5	32			

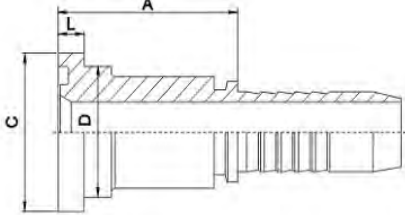
**Note:** 1.For use with braided hoses. 2. If use with spiral hoses, hose fitting series number is 27892-xx-xx.

### 1.2 -122 SAE Flange 3000PSI

#### SAE Flange 3000PSI

Number: 87311

Ref. SAE J516 - ISO 12151-3



PART NO.	FLANGE SIZE	HOSE BORE		DIMENSIONS				
		DN	DASH	A	C	D	L	
87311-08-08	1/2"	12	8	46	30.2	24	6.73	
87311-12-08	3/4"	12	8	47	38.1	31.7	6.73	
87311-12-10	3/4"	16	10	48	38.1	31.7	6.73	
87311-12-12	3/4"	20	12	48	38.1	31.7	6.73	
87311-12-16	3/4"	25	16	49	38.1	31.7	6.73	
87311-16-12	1"	20	12	51	44.4	38	8	
87311-16-16	1"	25	16	52	44.4	38	8	
87311-16-20	1"	32	20	53	44.4	38	8	
87311-20-16	1.1/4"	25	16	57	50.8	43	8	
87311-20-20	1.1/4"	32	20	58	50.8	43	8	
87311-24-20	1.1/2"	32	20	68	60.3	50	8	
87311-24-24	1.1/2"	40	24	68	60.3	50	8	
87311-32-24	2"	40	24	70	71.4	62	9.53	
87311-32-32	2"	50	32	70	71.4	62	9.53	
87311-40-40	2.1/2"	64	40	76	84.1	74	9.53	

**Note:** 1. For use with braided hoses. 2. If use with spiral hoses, hose fitting series number is 87312 -xx-xx .

#### 45° SAE Flange 3000PSI

Number: 87341

Ref. SAE J516 - ISO 12151-3



PART NO.	FLANGE SIZE	HOSE BORE		DIMENSIONS				
		DN	DASH	A	C	D	H	L
87341-08-08	1/2"	12	8	58.2	30.2	24	23.3	6.73
87341-12-08	3/4"	12	8	58.9	38.1	31.7	24	6.73
87341-12-10	3/4"	16	10	70.1	38.1	31.7	25.3	6.73
87341-12-12	3/4"	20	12	77	38.1	31.7	28.9	6.73
87341-16-12	1"	20	12	77	44.4	38	28.9	8
87341-16-16	1"	25	16	85.2	44.4	38	29.7	8
87341-16-20	1"	32	20	94.5	44.4	38	33.8	8
87341-20-16	1.1/4"	25	16	85.2	50.8	43	29.7	8
87341-20-20	1.1/4"	32	20	94.5	50.8	43	33.8	8
87341-24-20	1.1/2"	32	20	95.9	60.3	50	35.2	8
87341-24-24	1.1/2"	40	24	109.9	60.3	50	39.1	8
87341-32-24	2"	40	24	109.9	71.4	62	39.1	9.53
87341-32-32	2"	50	32	129.3	71.4	62	46.3	9.53

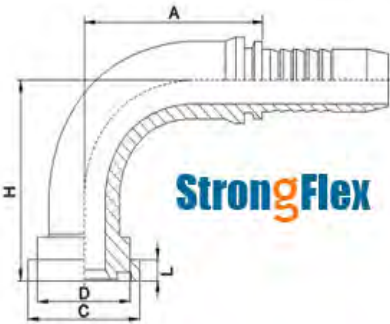
**Note:** 1. For use with braided hoses. 2. If use with spiral hoses, hose fitting series number is 87342 -xx-xx .

### 1.2 -122 SAE Flange 3000PSI

#### 90° SAE Flange 3000PSI

Number: 87391

Ref. SAE J516 - ISO 12151-3



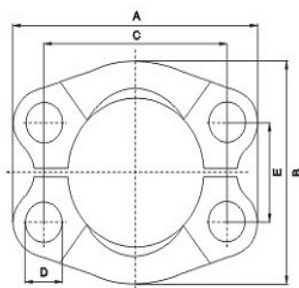
PART NO.	FLANGE SIZE	HOSE BORE		DIMENSIONS					
		DN	DASH	A	C	D	H	L	
87391-08-08	1/2"	12	8	41	30.2	24	47	6.73	
87391-12-08	3/4"	12	8	41	38.1	31.7	48	6.73	
87391-12-10	3/4"	16	10	56.5	37.1	31.7	52.5	6.73	
87391-12-12	3/4"	20	12	66.2	38.1	31.7	62	6.73	
87391-12-12(H100)	3/4"	20	12	65.5	38.1	31.7	100	6.73	
87391-12-12(H127)	3/4"	20	12	65.5	38.1	31.7	127	6.73	
87391-12-12(H150)	3/4"	20	12	65.5	38.1	31.7	150	6.73	
87391-12-16	3/4"	25	16	76.7	38.1	31.7	67.5	6.73	
87391-16-12	1"	20	12	66.2	44.4	38	62	8	
87391-16-16	1"	25	16	78	44.4	38	67.5	8	
87391-16-16(H100)	1"	25	16	76.7	44.4	38	100	8	
87391-16-16(H127)	1"	25	16	76.7	44.4	38	127	8	
87391-16-16(H150)	1"	25	16	76.7	44.4	38	150	8	
87391-16-20	1"	32	20	91.5	44.4	38	78.5	8	
87391-20-16	1.1/4"	25	16	78	50.8	43	67.5	8	
87391-20-20	1.1/4"	32	20	91.5	50.8	43	78.5	8	
87391-20-20(H100)	1.1/4"	32	20	91.5	50.8	43	100	8	
87391-20-20(H127)	1.1/4"	32	20	91.5	50.8	43	127	8	
87391-20-20(H150)	1.1/4"	32	20	91.5	50.8	43	150	8	
87391-20-24	1.1/4"	40	24	108.5	50.8	43	78.5	8	
87391-24-20	1.1/2"	32	20	91.5	60.3	50	80.5	8	
87391-24-24	1.1/2"	40	24	109.4	60.3	50	94	8	
87391-24-24(H127)	1.1/2"	40	24	109.4	60.3	50	127	8	
87391-32-24	2"	40	24	109.4	71.4	62	94	9.53	
87391-32-32	2"	50	32	131.8	71.4	62	114.3	9.53	
87391-40-32	2.1/2"	50	32	131.8	84.1	74.7	114.3	9.53	

**Note:** 1.For use with braided hoses. 2. If use with spiral hoses, hose fitting series number is 87392 -xx-xx .

#### SAE Split Flange Clamps 3000 PSI

Number: FL

Ref. SAE J518 - ISO 6162



PART NO.	FLANGE SIZE	DIMENSIONS					BOLT	MP
		A	B	C	D	E		
FL-08	1/2"	53.8	46.1	38.1	9	17.5	M8X25	34.5
FL-12	3/4"	65	52.4	47.6	11	22.2	M10X30	
FL-16	1"	69.9	58.7	52.4	11	26.2	M10X30	
FL-20	1.1/4"	79.2	73	58.7	11	30.2	M10X30	27.6
FL-24	1.1/2"	93.7	82.6	69.9	13.5	35.7	M12X35	20.7
FL-32	2"	101.6	96.8	77.8	13.5	42.9	M12X35	
FL-40	2.1/2"	114	109	88.9	13.5	50.8	M12X40	10

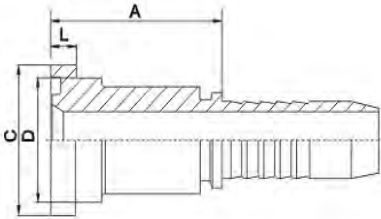
**Note:** Bolt should be ordered another.

### 1.2 -123 SAE Flange 6000PSI

#### SAE Flange 6000PSI

Number: 87611

Ref. SAE J516 - ISO 12151-3



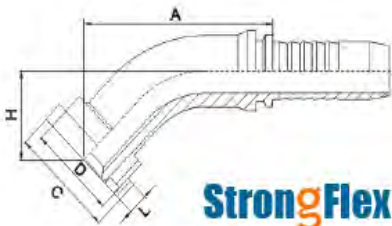
PART NO.	FLANGE SIZE	HOSE BORE		DIMENSIONS					
		DN	DASH	A	C	D	L		
87611-08-08	1/2"	12	8	47	31.7	24	7.75		
87611-12-10	3/4"	16	10	51	41.3	32	8.76		
87611-12-12	3/4"	20	12	51	41.3	32	8.76		
87611-16-12	1"	20	12	56	47.6	38	9.53		
87611-16-16	1"	25	16	57	47.6	38	9.53		
87611-16-20	1"	32	20	61	47.6	38	9.53		
87611-20-16	1.1/4"	25	16	65	54	44	10.29		
87611-20-20	1.1/4"	32	20	66	54	44	10.29		
87611-24-20	1.1/2"	32	20	75	63.5	51	12.57		
87611-24-24	1.1/2"	40	24	75	63.5	51	12.57		
87611-32-24	2"	40	24	85	79.4	67	12.57		
87611-32-32	2"	50	32	85	79.4	67	12.57		

**Note:** 1.For use with braided hoses. 2. If use with spiral hoses, hose fitting series number is 87612-xx-xx.

#### 45° SAE Flange 6000PSI

Number: 87641

Ref. SAE J516 - ISO 12151-3



PART NO.	FLANGE SIZE	HOSE BORE		DIMENSIONS					
		DN	DASH	A	C	D	H	L	
87641-08-08	1/2"	12	8	58.9	31.7	24	24	7.75	
87641-08-12	1/2"	20	12	74.9	31.7	24	27.5	7.75	
87641-12-10	3/4"	16	10	72.5	41.3	32	28.2	8.76	
87641-12-12	3/4"	20	12	79.2	41.3	32	31.8	8.76	
87641-16-16	1"	25	16	90.2	47.6	38	34.7	9.53	
87641-20-20	1.1/4"	32	20	103.8	54	44	41.5	10.29	
87641-24-20	1.1/2"	32	20	105.8	63.5	51	45.1	12.57	
87641-24-24	1.1/2"	40	24	116.2	63.5	51	45.5	12.57	
87641-32-24	2"	40	24	125.4	79.4	67	54.7	12.57	
87641-32-32	2"	50	32	135.7	79.4	67	52.7	12.57	

**Note:** 1.For use with braided hoses. 2. If use with spiral hoses, hose fitting series number is 87642-xx-xx.

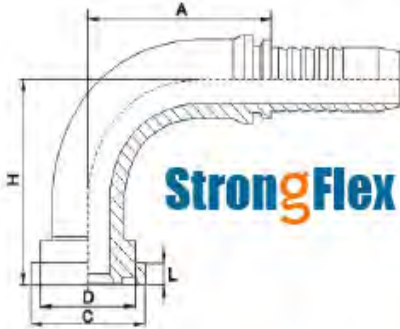


### 1.2 -123 SAE Flange 6000PSI

#### 90° SAE Flange 6000PSI

Number: 87691

Ref. SAE J516 - ISO 12151-3



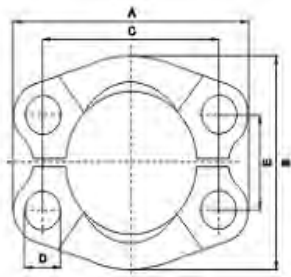
PART NO.	FLANGE SIZE	HOSE BORE		DIMENSIONS					
		DN	DASH	A	C	D	H	L	
87691-08-08	1/2"	12	8	41	31.7	24	48	7.75	
87691-12-10	3/4"	16	10	56.5	41.3	32	56.5	8.76	
87691-12-12	3/4"	20	12	66.2	41.3	32	66	8.76	
87691-16-12	1"	20	12	66.2	47.6	38	69	9.53	
87691-16-16	1"	25	16	78	47.6	38	74.5	9.53	
87691-16-20	1"	32	20	91.5	47.6	38	85.5	9.53	
87691-20-16	1.1/4"	25	16	78	54	44	78.5	10.29	
87691-20-20	1.1/4"	32	20	91.5	54	44	89.5	10.29	
87691-24-20	1.1/2"	32	20	91.5	63.5	51	94.5	12.57	
87691-24-24	1.1/2"	40	24	109.4	63.5	51	108	12.57	
87691-32-24	2"	40	24	109.4	79.4	67	116	12.57	
87691-32-32	2"	50	32	131.8	79.4	67	136.3	12.57	

**Note:** 1.For use with braided hoses. 2. If use with spiral hoses, hose fitting series number is 87692-xx-xx.

#### SAE Split Flange Clamps 6000 PSI

Number: FS

Ref. SAE J518 - ISO 6162



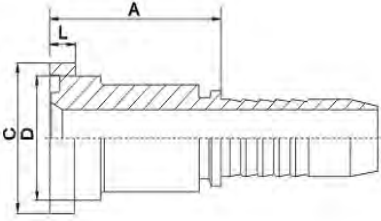
PART NO.	FLANGE SIZE	DIMENSIONS					BOLT	MP
		A	B	C	D	E		
FS-08	1/2"	56.3	49.2	40.5	9	18.2	M8X30	42
FS-12	3/4"	71.4	61.8	50.8	11	23.8	M10X35	
FS-16	1"	81	71.4	57.2	13	27.8	M12X45	
FS-20	1.1/4"	95.3	79.2	66.7	15	31.8	M14X50	
FS-24	1.1/2"	112.8	96.8	79.4	17	36.6	M16X55	
FS-32	2"	133.4	115.6	96.8	21	44.4	M20X70	

**Note:** Bolt should be ordered another.

### 1.2 -125 JIS Flange

#### JIS Flang

Number: 88111  
Ref. JIS B 8363

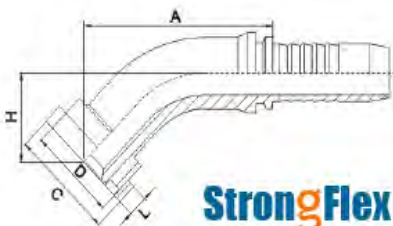


PART NO.	FLANGE SIZE	HOSE BORE		DIMENSIONS					
		DN	DASH	A	C	D	L		
88111-10-08	5/8"	12	8	45	34.2	27.8	6.7		
88111-10-10	5/8"	16	10	46	34.2	27.8	6.7		
88111-10-12	5/8"	20	12	46	34.2	27.8	6.7		

**Note:** 1. For use with braided hoses. 2. If use with spiral hoses, hose fitting series number is 88112-xx-xx.

#### 45° JIS Flang

Number: 88141  
Ref. JIS B 8363

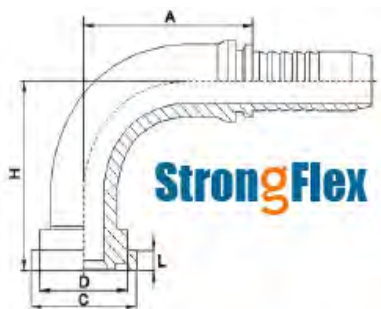


PART NO.	FLANGE SIZE	HOSE BORE		DIMENSIONS					
		DN	DASH	A	C	D	H	L	
88141-10-08	5/8"	12	8	58.9	34.2	27.8	24	6.7	
88141-10-10	5/8"	16	10	70.2	34.2	27.8	25.3	6.7	
88141-10-12	5/8"	20	12	76.2	34.2	27.8	28.8	6.7	

**Note:** 1. For use with braided hoses. 2. If use with spiral hoses, hose fitting series number is 88142-xx-xx.

#### 90° JIS Flang

Number: 88191  
Ref. JIS B 8363



PART NO.	FLANGE SIZE	HOSE BORE		DIMENSIONS					
		DN	DASH	A	C	D	H	L	
88191-10-08	5/8"	12	8	41	34.2	27.8	48	6.7	
88191-10-10	5/8"	16	10	56.5	34.2	27.8	52.5	6.7	
88191-10-12	5/8"	20	12	65.5	34.2	27.8	62	6.7	

**Note:** 1. For use with braided hoses. 2. If use with spiral hoses, hose fitting series number is 88192-xx-xx.

### 1.2 -126 JIS Metric 60° Seal

#### JIS Metric Male 60° Cone Seat

<p>Number: 18611 Ref. JIS B 8363</p>	PART NO.	THREAD E	HOSE BORE		DIMENSIONS					
			DN	DASH	A	B	S1			
	18611-14-04	M14X1.5	6	4	29.5	17	17			
	18611-14-06	M14X1.5	10	6	29.5	17	17			
	18611-16-04	M16X1.5	6	4	30.5	18	17			
	18611-16-06	M16X1.5	10	6	30.5	18	17			
	18611-18-06	M18X1.5	10	6	30.5	18	19			
	18611-20-08	M20X1.5	12	8	35	20	22			
	18611-22-08	M22X1.5	12	8	35	20	24			
	18611-24-10	M24X1.5	16	10	39.5	21.5	27			
	18611-30-12	M30X1.5	20	12	45	26	32			
	18611-33-16	M33X1.5	25	16	50.5	30	36			
	18611-36-20	M36X1.5	32	20	55	33	38			
	18611-42-24	M42X1.5	40	24	60	36	46			

Note: 1.For use with braided hoses. 2.If use with spiral hoses, hose fitting seried number is 18612-XX-XX

#### JIS Metric Female 60° Cone Seat

<p>Number: 28611 Ref. JIS B 8363</p>	PART NO.	THREAD E	HOSE BORE		DIMENSIONS					
			DN	DASH	A	C	S1	S2		
	28611-12-04	M12X1.5	6	4	20	9	17	17		
	28611-14-04	M14X1.5	6	4	21	10.5	19	19		
	28611-14-06	M14X1.5	10	6	21	10.5	19	19		
	28611-16-04	M16X1.5	6	4	24	10	22	22		
	28611-16-05	M16X1.5	8	5	24	10	22	22		
	28611-16-06	M16X1.5	10	6	24	10	22	22		
	28611-18-06	M18X1.5	10	6	25	11.5	24	24		
	28611-18-08	M18X1.5	12	8	24.5	11.5	24	24		
	28611-20-08	M20X1.5	12	8	28.5	12	27	27		
	28611-22-08	M22X1.5	12	8	25.5	14	27	27		
	28611-24-08	M24X1.5	12	8	27.5	15	32	32		
	28611-24-10	M24X1.5	16	10	28.5	15	32	32		
	28611-27-10	M27X1.5	16	10	28.5	10	32	32		
	28611-30-12	M30X1.5	20	12	28.5	18.3	36	36		
	28611-33-12	M33X1.5	20	12	31	21.3	41	41		
	28611-33-16	M33X1.5	25	16	32	21.3	41	41		
	28611-36-20	M36X1.5	32	20	35.5	20	46	46		
	28611-42-24	M42X1.5	40	24	36	18.8	50	50		

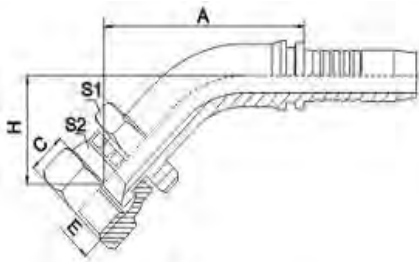
Note: 1.For use with braided hoses. 2.If use with spiral hoses, hose fitting seried number is 28612-XX-XX

### 1.2 -126 JIS Metric 60° Seal

#### 45° JIS Metric Female 60° Cone Seat

Number: 28641

Ref. JIS B 8363



**28641**

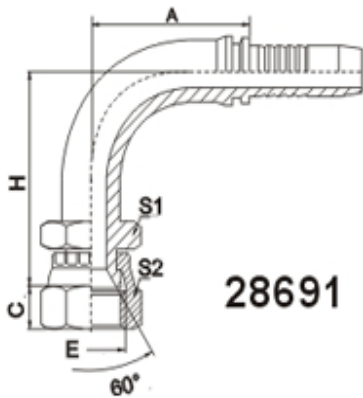
PART NO.	THREAD E	HOSE BORE		DIMENSIONS					
		DN	DASH	A	C	H	S1	S2	
28641-14-04	M14X1.5	6	4	43.4	10.5	21.3	19	19	
28641-16-05	M16X1.5	8	5	47.6	10	24.3	22	22	
28641-18-06	M18X1.5	10	6	49.2	11.5	24.9	24	24	
28641-22-06	M22X1.5	12	8	62.1	14	27.2	27	27	
28641-24-10	M24X1.5	16	10	74.7	15	29.9	32	32	
28641-30-12	M30X1.5	20	12	80.9	18.3	33.5	36	36	
28641-33-16	M33X1.5	25	16	89.9	21.3	35.7	41	41	
28641-36-20	M36X1.5	32	20	104.1	20	41.9	46	46	
28641-42-24	M42X1.5	40	24	116.2	18.8	45.5	50	50	

**Note:** 1. For use with braided hoses. 2. If use with spiral hoses, hose fitting series number is 28642-XX-XX

#### 90° JIS Metric Female 60° Cone Seat

Number: 28691

Ref. JIS B 8363



**28691**

PART NO.	THREAD E	HOSE BORE		DIMENSIONS					
		DN	DASH	A	C	H	S1	S2	
28691-14-04	M14X1.5	6	4	30	10.5	38	19	19	
28691-14-06	M14X1.5	10	6	35.5	10.5	43.3	19	19	
28691-16-05	M16X1.5	8	5	33	10	44	22	22	
28691-18-06	M18X1.5	10	6	35.3	11.5	46.3	24	24	
28691-22-08	M22X1.5	12	8	41	14	52.5	27	27	
28691-24-10	M24X1.5	16	10	56.5	15	59	32	32	
28691-30-12	M30X1.5	20	12	65.5	18.3	68.5	36	36	
28691-33-16	M33X1.5	25	16	76.7	21.3	76	41	41	
28691-36-20	M36X1.5	32	20	93	20	90	46	46	
28691-42-24	M42X1.5	40	24	109.4	18.8	103	50	50	

**Note:** 1. For use with braided hoses. 2. If use with spiral hoses, hose fitting series number is 28692-XX-XX.

### 1.2 -127 JIS GAS 60° Seal

#### JIS GAS Female 60° Cone Seat

Number: 29611 Ref. JIS B 8363	PART NO.	THREAD E	HOSE BORE		DIMENSIONS					
			DN	DASH	A	C	S1	S2		
	29611-02-03	G1/8"X28	5	3	20	7	14	14		
	29611-04-04	G1/4"X19	6	4	21	8	19	19		
	29611-04-05	G1/4"X19	8	5	21	8	19	19		
	29611-06-04	G3/8"X19	6	4	24	9	22	22		
	29611-06-06	G3/8"X19	10	6	23	9	22	22		
	29611-08-06	G1/2"X14	10	6	28	12	27	27		
	29611-08-08	G1/2"X14	12	8	26.5	12	27	27		
	29611-10-10	G5/8"X14	16	10	31	11.5	30	30		
	29611-12-10	G3/4"X14	16	10	28.5	13.5	32	32		
	29611-12-12	G3/4"X14	20	12	28.5	13.5	32	32		
	29611-16-16	G1"X11	25	16	32	16	41	41		
	<b>Note:</b> 1.For use with braided hoses. 2. If use with spiral hoses, hose fitting series number is 29612-xx-xx .	29611-20-20W	G1.1/4"X11	32	20	43	18.5	50	50	
	29611-24-24W	G1.1/2"X11	40	24	43.5	19	55	55		
	29611-32-32W	G2"X11	50	32	46.5	23	70	70		

#### 45° JIS GAS Female 60° Cone Seat

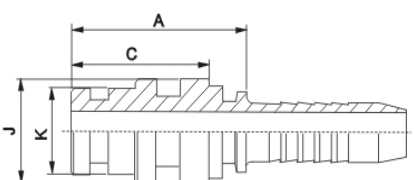
Number: 29641 Ref. JIS B 8363	PART NO.	THREAD E	HOSE BORE		DIMENSIONS					
			DN	DASH	A	C	H	S1	S2	
	29641-04-04	G1/4"X19	6	4	43.4	8	21.3	19	19	
	29641-06-06	G3/8"X19	10	6	48.9	9	24.6	22	22	
	29641-08-08	G1/2"X14	12	8	62.5	12	27.5	27	27	
	29641-12-12	G3/4"X14	20	12	81.3	13.5	33.9	32	32	
	29641-16-16	G1"X11	25	16	87.3	16	36	41	41	
	29641-20-20W	G1.1/4"X11	32	20	107.3	18.5	46.5	50	50	
	29641-24-24W	G1.1/2"X11	40	24	122.8	19	50.8	55	55	
	29641-32-32W	G2"X11	50	32	143	23	60	70	70	
	<b>Note:</b> 1.For use with braided hoses. 2. If use with spiral hoses, hose fitting series number is 29642-xx-xx .									

#### 90° JIS GAS Female 60° Cone Seat

Number: 29691 Ref. JIS B 8363	PART NO.	THREAD E	HOSE BORE		DIMENSIONS					
			DN	DASH	A	C	H	S1	S2	
	29691-04-04	G1/4"X19	6	4	30	8	38	19	19	
	29691-04-05	G1/4"X19	8	5	33	8	41	19	19	
	29691-06-06	G3/8"X19	10	6	35.3	9	45.8	22	22	
	29691-08-08	G1/2"X14	12	8	41	12	53	27	27	
	29691-10-10	G5/8"X14	16	10	56.5	11.5	61	30	30	
	29691-12-12	G3/4"X14	20	12	65.5	13.5	69	32	32	
	29691-16-16	G1"X11	25	16	76.7	16	76.5	41	41	
	29691-20-20W	G1.1/4"X11	32	20	91.5	18.5	92.5	50	50	
	29691-24-24W	G1.1/2"X11	40	24	109.4	19	110.5	55	55	
	29691-32-32W	G2"X11	50	32	131.8	23	133.8	70	70	
	<b>Note:</b> 1.For use with braided hoses. 2. If use with spiral hoses, hose fitting series number is 29692-xx-xx .									

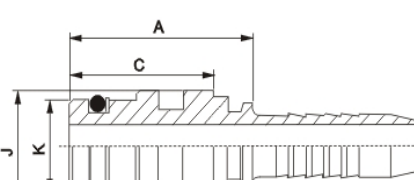
### 1.2 -128 Staple-Lock

#### MT Staplelock Male

<p>Number: 60011</p>  <p><b>StrongFlex</b></p>	PART NO.	HOSE BORE		DIMENSIONS					
		DN	DASH	A	C	J	K		
	60011-04-04	6	4	31	25	15	11		
	60011-05-05	8	5	33.5	26	18	13		
	60011-06-06	10	6	33	26	18	15		
	60011-08-06	10	6	33.5	26	22	18		
	60011-08-08	12	8	34	26	22	18		
	60011-10-10	16	10	39	30	25	20		
	60011-12-12	20	12	40.5	31	28	24		
	60011-16-14	22	14	41	31	35	30		
60011-16-16	25	16	42	31	35	30			

**Note:** 1.For use with braided hoses. 2. If use with spiral hoses, hose fitting series number is 60012-xx-xx.

#### SAE Staplelok Male

<p>Number: 67011 Ref. SAE J1467</p>  <p><b>StrongFlex</b></p>	PART NO.	HOSE BORE		O-RING	DIMENSIONS			
		DN	DASH		A	C	J	K
	67011-04-04	6	4	O06.0X2.0	34	28	14.9	9.9
	67011-06-06	10	6	O10.0X2.0	35	28	19.9	13.9
	67011-08-08	12	8	O13.0X2.5	36	28	23.9	17.9
	67011-12-12	20	12	O19.0X2.5	37.5	28	28.9	23.9
	67011-16-16	25	16	O25.0X2.5	44	33	38.8	30.9
	67011-20-20	32	20	O33.0X2.5	44	33	45.9	37.9
	67011-24-24	40	24	O40.0X3.0	47.5	36.3	54.9	46.9
	67011-32-32	50	32	O50.0X3.0	47.5	36.3	63.9	55.9

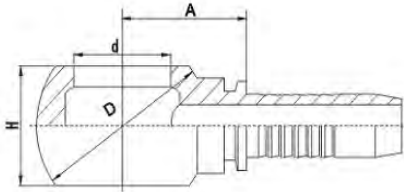
**Note:** 1.For use with braided hoses. 2. If use with spiral hoses, hose fitting series number is 67012-xx-xx.

### 1.2 -129 Banjo

#### Metric Banjo

Number: 70011

Ref. DIN 7642



70011



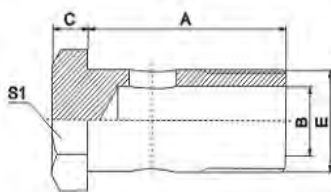
PART NO	BOLT THREAD	HOSE BORE		DIMENSIONS					
		DN	DASH	A	d	D	H		
70011-10-03	M10X1	5	3	14.5	10.1	17	10		
70011-10-04	M10X1	6	4	17	10.1	17	10		
70011-12-04	M12X1.5	6	4	20.5	12.1	20	12		
70011-12-05	M12X1.5	8	5	20.5	12.1	20	12		
70011-12-06	M12X1.5	10	6	20.5	12.1	20	12		
70011-14-04	M14X1.5	6	4	21	14.1	24	14		
70011-14-05	M14X1.5	8	5	21	14.1	24	14		
70011-14-06	M14X1.5	10	6	21	14.1	24	14		
70011-16-04	M16X1.5	6	4	20.5	16.1	28	16		
70011-16-05	M16X1.5	8	5	20.5	16.1	28	16		
70011-16-06	M16X1.5	10	6	20.5	16.1	28	16		
70011-18-04	M18X1.5	6	4	23	18.1	32	20		
70011-18-05	M18X1.5	8	5	24	18.1	32	20		
70011-18-06	M18X1.5	10	6	24	18.1	32	20		
70011-18-08	M18X1.5	12	8	24.5	18.1	32	20		
70011-22-06	M22X1.5	10	6	28.1	22.1	39	25		
70011-22-08	M22X1.5	12	8	28.5	22.1	39	25		
70011-22-10	M22X1.5	16	10	28	22.1	39	25		
70011-26-12	M26X1.5	20	12	32.5	26.1	46	30		
70011-30-16	M30X1.5	25	16	37	30.1	54	36		
70011-30-20	M30X1.5	32	20	40	30.1	54	36		

**Note:** 1. For use with braided hoses. 2. If use with spiral hoses, hose fitting series number is 70012-xx-xx.

#### Metric Bole

Number: 700M

Ref. DIN 7643



700M

PART NO	THREAD E	DIMENSIONS							
		A	B	C	S1				
700M-10	M10X1	19	5.5	6	14				
700M-12	M12X1.5	24	7	6	17				
700M-14	M14X1.5	26	9	6	19				
700M-16	M16X1.5	28	11	6	22				
700M-18	M18X1.5	32	13	6	24				
700M-22	M22X1.5	39	16	7	27				
700M-26	M26X1.5	45	20	7	32				
700M-30	M30X1.5	51	24	7	36				



### 1.2 -129 Banjo

#### BSP Banjo

Number: 72011	PART NO.	THREAD E	HOSE BORE		DIMENSIONS					
			DN	DASH	A	d	D	H		
	72011-02-03	G1/8"X28	5	3	18	9.9	22	16		
	72011-02-04	G1/8"X28	6	4	188.5	9.9	22	16		
	72011-04-03	G1/4"X19	5	3	19	13.3	24	15		
	72011-04-04	G1/4"X19	6	4	19.5	13.3	24	15		
	72011-04-05	G1/4"X19	8	5	19.5	13.3	24	15		
	72011-04-06	G1/4"X19	10	6	19.5	13.3	24	15		
	72011-06-04	G3/8"X19	6	4	22	16.7	29	20		
	72011-06-05	G3/8"X19	8	5	22	16.7	29	20		
	72011-06-06	G3/8"X19	10	6	22	16.7	29	20		
	72011-06-08	G3/8"X19	12	8	23	16.7	29	20		
	72011-08-05	G1/2"X14	8	5	27.5	21	38	25		
	72011-08-06	G1/2"X14	10	6	27.5	21	38	25		
	72011-08-08	G1/2"X14	12	8	28	21	38	25		
	72011-08-10	G1/2"X14	16	10	29	21	38	25		
	72011-10-10	G5/8"X14	16	10	28	23	40	27		
	72011-12-10	G3/4"X14	16	10	32	26.5	48	31		
	72011-12-12	G3/4"X14	20	12	32	26.5	48	31		
	72011-16-08	G1"X11	12	8	40	33.3	60	42		
72011-16-12	G1"X11	20	12	40	33.3	60	42			
72011-16-16	G1"X11	25	16	41	33.3	60	42			

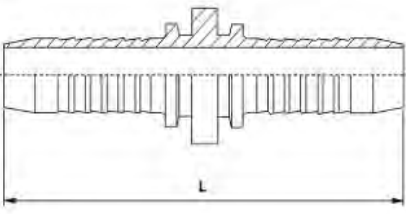

**Note:** 1.For use with braided hoses. 2. If use with spiral hoses, hose fitting series number is 72012-xx-xx.

#### BSP Bolt

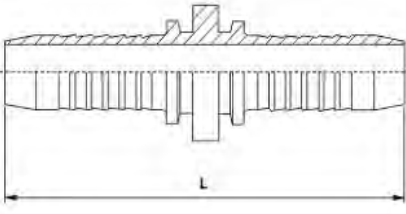

Number: 720B	PART NO.	THREAD E	DIMENSIONS							
			A	B	C	S1				
	720B-02	G1/8"X28	29.5	4.8	4.8	14				
	720B-04	G1/4"X19	28.5	6	6	19				
	720B-06	G3/8"X19	38.5	9	7	22				
	720B-08	G1/2"X14	44	13	8.5	27				
	720B-10	G5/8"X14	48.5	15	10	30				
	720B-12	G3/4"X14	56	18	10	32				
	720B-16	G1"X11	68.5	22	13	41				

### 1.2 -130 Double Connector

#### Double Connector For Wire Braid Hoses

Number: 90011	PART NO.	HOSE BORE		DIMENSIONS
		DN	DASH	L
 	90011-04	6	4	69
	90011-05	8	5	69
	90011-06	10	6	73
	90011-08	12	8	77
	90011-10	16	10	83
	90011-12	20	12	93
	90011-16	25	16	114
	90011-20	32	20	132
	90011-24	40	24	162
	90011-32	50	32	170

#### Double Connector For Wire Spiral Hoses

Number: 90012	PART NO.	HOSE BORE		DIMENSIONS
		DN	DASH	L
 	90012-04	6	4	83
	90012-05	8	5	87
	90012-06	10	6	87
	90012-08	12	8	91
	90012-10	16	10	97
	90012-12	20	12	110
	90012-16	25	16	134
	90012-20	32	20	153
	90012-24	40	24	172
	90012-32	50	32	178

### 1.2 - 201 Interlock Ferrule

Interlock Ferrule For SAE 100R13 / EN856 R13 Hose

<p>Number: 00621</p>	PART NO.	HOSE BORE		DIMENSIONS	
		DN	DASH	D	L
	00621-12	20	12	45.5	53
	00621-16	25	16	51	66
	00621-20	32	20	60	88.5
	00621-24	40	24	69.3	102
	00621-32	50	32	86.5	108

### 1.2 - 205 Metric 24° Cone Seal H.T.

Metric Male 24° Cone Seat H.T.

<p>Number: 10513 Ref. DIN 3861 - ISO 8434-1</p>	PART NO.	THREAD E	HOSE BORE		TUBE O.D.	DIMENSIONS		
			DN	DASH		A	C	S2
	10513-36-12	M36X2	20	12	25	43.5	20	38
	10513-42-16	M42X2	25	16	30	46.4	20	46
	10513-52-20	M52X2	32	20	38	52.8	22	55

Metric Female 24° Cone O-Ring H.T.

<p>Number: 20513 Ref. DIN 3865 - ISO 12151-2</p>	PART NO.	THREAD E	HOSE BORE		TUBE O.D.	O RING	DIMENSIONS		
			DN	DASH			A	C	S2
	20513-30-12T	M30X2	20	12	20	O16.3X2.4	30	3	36
	20513-36-16T	M36X2	25	16	25	O20.3X2.4	31.9	3	41
	20513-42-16T	M42X2	25	16	30	O25.3X2.4	33.4	5	50
	20513-42-20T	M42X2	32	20	30	O25.3X2.4	38.8	5	50
	20513-52-24T	M52X2	40	24	38	O33.3X2.4	38.2	6.5	60
	20513-36-12T	M36X2	20	12	25	O20.3X2.4	38.5	3	41
	20513-42-12T	M42X2	20	12	30	O25.3X2.4	42	5	50
	20513-52-20T	M52X2	32	20	38	O33.3X2.4	45.3	6.5	60

45° Metric Female 24° Cone O-Ring H.T.

<p>Number: 20543</p>	PART NO.	THREAD E	HOSE BORE		O RING	DIMENSIONS			
			DN	DASH		A	C	H	S2
	20543-42-16T	M42X2	25	16	O25.3X2.4	102.3	5	35.9	50
	20543-36-12T	M36X2	20	12	O20.3X2.4	89.4	3	33	41
	20543-52-20T	M52X2	32	20	O33.3X2.4	114.5	6.5	39.4	60

### 1.2 - 205 Metric 24° Cone Seal H.T.

#### 90° Metric Female 24° Cone O-Ring H.T.

Number: 20593 Ref. DIN 3865 - ISO 12151-2	PART NO.	THREAD E	HOSE BORE		O RING	DIMENSIONS			
			DN	DASH		A	C	H	S2
	20593-36-16W	M36X2	25	16	O20.3X2.4	88.9	3.2	79.5	46
	20593-42-16W	M42X2	25	16	O25.3X2.4	88.9	5	80.5	50
	20593-42-20W	M42X2	32	20	O25.3X2.4	105.8	5	91.5	50
	20593-52-24W	M52X2	40	24	O33.3X2.4	124.2	6.5	105	60
	20593-36-12T	M36X2	20	12	O20.3X2.4	74.5	3.2	67.8	46
	20593-52-20T	M52X2	32	20	O33.3X2.4	105.8	6.5	86.5	60

### 1.2 - 212 BSPT Male

#### BSPT Male

Number: 13013-SP	PART NO.	THREAD E	HOSE BORE		DIMENSIONS					
			DN	DASH	A	C	S1			
	13013-12-12SP	R3/4"X14	20	12	38	20	30			
	13013-16-16SP	R1"X11	25	16	45.9	25.5	38			
	13013-20-20SP	R1.1/4"X11	32	20	51.3	26.5	46			
	13013-24-24SP	R1.1/2"X11	40	24	53.2	26.5	50			
	13013-32-32SP	R2"X11	50	32	58.5	30	65			

### 1.2 - 215 BSP 60°

#### BSP Male 60° Cone Seat

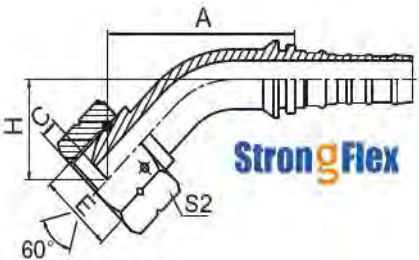
Number: 12613	PART NO.	THREAD E	HOSE BORE		DIMENSIONS					
			DN	DASH	A	C	S1			
	12613-12-12	G3/4"X14	20	12	37.5	18.5	30			
	12613-16-16	G1"X11	25	16	41	20.5	36			
	12613-20-20	G1.1/4"X11	32	20	45.3	20.5	46			
	12613-24-24	G1.1/2"X11	40	24	49.7	23	50			
	12613-32-32	G2"X11	50	32	52	25.5	60			

#### BSP Male 60° Cone Seat

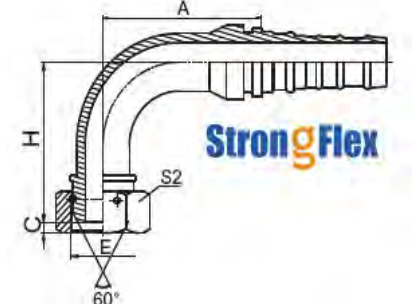
Number: 22613-ORW	PART NO.	THREAD E	HOSE BORE		DIMENSIONS				
			DN	DASH	A	C	S2		
	22613-12-12ORW	G3/4"X14	20	12		27.5	8.7	32	
	22613-16-16ORW	G1"X11	25	16		32.4	10.5	41	
	22613-20-20ORW	G1.1/4"X11	32	20		35.8	10.1	50	
	22613-24-24ORW	G1.1/2"X11	40	24		36.7	12.5	55	
	22613-32-32ORW	G2"X11	50	32		36.5	16	70	

### 1.2 - 215 BSP 60°

#### 45° BSP Female 60° Cone

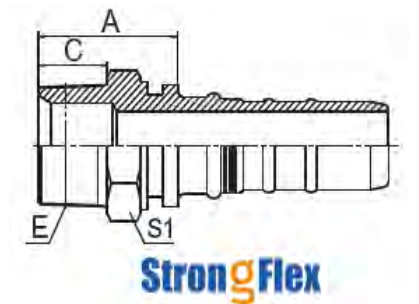
Number: 22643-W	PART NO.	THREAD E	HOSE BORE		DIMENSIONS			
			DN	DASH	A	C	H	S2
	22643-12-12W	G3/4"X14	20	12	88.3	8.7	32.5	32
	22643-16-16W	G1"X11	25	16	99.3	10.5	32.9	41
	22643-20-20W	G1.1/4"X11	32	20	112.9	10.1	37.9	50
	22643-24-24W	G1.1/2"X11	40	24	131	12.5	45.5	55
	22643-32-32W	G2"X11	50	32	154.7	16	52.7	70

#### 90° BSP Female 60° Cone

Number: 22693-W	PART NO.	THREAD E	HOSE BORE		DIMENSIONS			
			DN	DASH	A	C	H	S2
	22693-12-12W	G3/4"X14	20	12	73.8	8.7	67.1	32
	22693-16-16W	G1"X11	25	16	91.9	10.5	72	41
	22693-20-20W	G1.1/4"X11	32	20	105.8	10.1	88.3	50
	22693-24-24W	G1.1/2"X11	40	24	124.2	12.5	103	55
	22693-32-32W	G2"X11	50	32	148.8	16	123	70

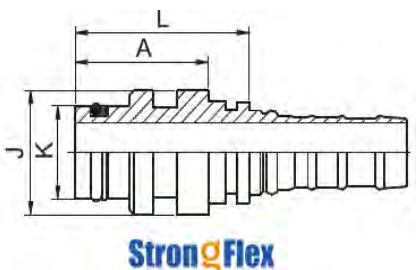
### 1.2 - 216 NPT

#### NPT Male

Number: 15613	PART NO.	THREAD E	HOSE BORE		DIMENSIONS				
			DN	DASH	A	C	S1		
	15613-12-12	Z3/4"X14	20	12	37.5	19.5	30		
	15613-16-16	Z1"X11.5	25	16	45.9	25.5	38		
	15613-20-20	Z1.1/4"X11.5	32	20	51.3	26.5	46		
	15613-24-24	Z1.1/2"X11.5	40	24	54.2	27.5	50		
	15613-32-32	Z2"X11.5	50	32	56.5	27.5	65		

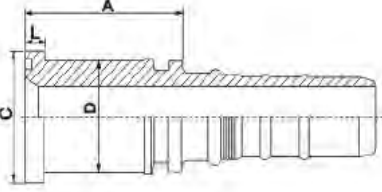
### 1.2 - 228 Staplelok

#### SAE Staple-Lok Male


Number: 67013	PART NO.	HOSE BORE		O-Ring	BAFFLE	DIMENSIONS			
		DN	DASH			A	J	K	L
	67013-20-20	32	20	OR-Y20	DQ-Y20	33	45.9	37.9	48.8
	67013-24-24	40	24	OR-Y24	DQ-Y24	36.5	54.9	46.9	52.5
	67013-32-32	50	32	OR-Y32	DQ-Y32	36.5	63.9	55.9	52.5

### 1.2 - 222 SAE Flange 3000PSI

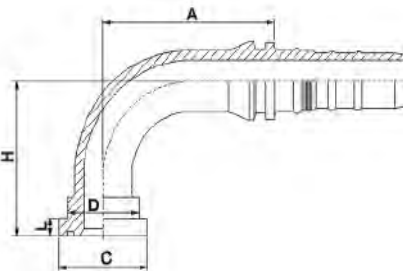
#### SAE Flange 3000 PSI

<b>Number: 87313</b> <b>Ref. SAE J516 - ISO 12151-3</b> 	PART NO.	FLANGE SIZE	HOSE BORE		DIMENSIONS					
			DN	DASH	A	C	D	L		
	87313-12-12	3/4"	20	12	50	38.1	31.7	6.73		
	87313-16-12	1"	20	12	54	44.4	38	8		
	87313-16-16	1"	25	16	54.4	44.4	38	8		
	87313-20-16	1.1/4"	25	16	59.4	50.8	43	8		
	87313-20-20	1.1/4"	32	20	65.8	50.8	43	8		
	87313-24-20	1.1/2"	32	20	71.8	60.3	50	8		
	87313-24-24	1.1/2"	40	24	72.2	60.3	50	8		
	87313-32-24	2"	40	24	74.2	71.4	62	9.53		
87313-32-32	2"	50	32	78.5	71.4	62	9.53			

#### 45° SAE Flange 3000 PSI

<b>Number: 87343</b> <b>Ref. SAE J516 - ISO 12151-3</b> 	PART NO.	FLANGE SIZE	HOSE BORE		DIMENSIONS					
			DN	DASH	A	C	D	H	L	
	87343-12-12	3/4"	20	12	85.8	38.1	31.7	28.9	6.73	
	87343-16-12	1"	20	12	85.8	44.4	38	28.9	8	
	87343-16-16	1"	25	16	96.1	44.4	38	29.7	8	
	87343-20-16	1.1/4"	25	16	96.1	50.8	43	29.7	8	
	87343-20-20	1.1/4"	32	20	108.8	50.8	43	33.8	8	
	87343-24-20	1.1/2"	32	20	110.2	60.3	50	35.2	8	
	87343-24-24	1.1/2"	40	24	123.7	60.3	50	39.1	8	
	87343-32-24	2"	40	24	123.7	71.4	62	39.1	9.53	
87343-32-32	2"	50	32	148.3	71.4	62	46.3	9.53		

#### 90° SAE Flange 3000 PSI

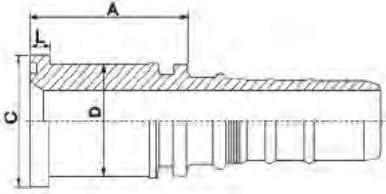
<b>Number: 87393</b> <b>Ref. SAE J516 - ISO 12151-3</b> 	PART NO.	FLANGE SIZE	HOSE BORE		DIMENSIONS					
			DN	DASH	A	C	D	H	L	
	87393-12-12	3/4"	20	12	75	38.1	31.7	62	6.73	
	87393-16-12	1"	20	12	75	44.4	38	62	8	
	87393-16-16	1"	25	16	88.9	44.4	38	67.5	8	
	87393-20-16	1.1/4"	25	16	88.9	50.8	43	67.5	8	
	87393-20-20	1.1/4"	32	20	105.8	50.8	43	78.5	8	
	87393-24-20	1.1/2"	32	20	105.8	60.3	50	80.5	8	
	87393-24-24	1.1/2"	40	24	123.2	60.3	50	94	8	
	87393-32-24	2"	40	24	123.2	71.4	62	94	9.53	
87393-32-32	2"	50	32	150.3	71.4	62	114.3	9.53		

### 1.2 - 223 SAE Flange 6000PSI

#### SAE Flange 6000 PSI

Number: 87693

Ref. SAE J516 - ISO 12151-3

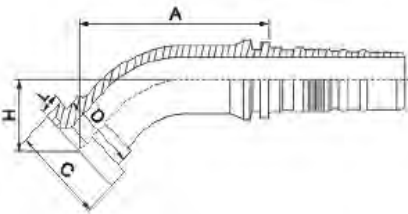


PART NO.	FLANGE SIZE	HOSE BORE		DIMENSIONS					
		DN	DASH	A	C	D	L		
87613-12-12	3/4"	20	12	53	41.3	32	8.76		
87613-16-12	1"	20	12	58	47.6	38	9.53		
87613-16-16	1"	25	16	59.4	47.6	38	9.53		
87613-20-16	1.1/4"	25	16	67.4	54	44	40.29		
87613-20-20	1.1/4"	32	20	69.8	54	44	10.29		
87613-20-24	1.1/4"	40	24	74.7	54	44	10.29		
87613-24-20	1.1/2"	32	20	78.8	63.5	51	12.57		
87613-24-24	1.1/2"	40	24	78.7	63.5	51	12.57		
87613-32-24	2"	40	24	91.2	79.4	67	12.57		
87613-32-32	2"	50	32	91	79.4	67	12.57		

#### 45° SAE Flange 6000 PSI

Number: 87643

Ref. SAE J516 - ISO 12151-3

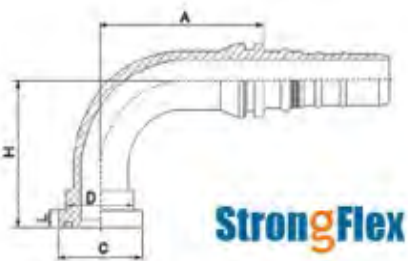


PART NO.	FLANGE SIZE	HOSE BORE		DIMENSIONS					
		DN	DASH	A	C	D	H	L	
87643-12-12	3/4"	20	12	88.7	41.3	32	31.8	8.76	
87643-16-12	1"	20	12	90.8	47.6	38	33.2	9.53	
87643-16-16	1"	25	16	101.1	47.6	38	34.7	9.53	
87643-20-16	1.1/4"	25	16	103.9	54	44	37.5	10.3	
87643-20-20	1.1/4"	32	20	116.6	54	44	41.5	10.3	
87643-24-20	1.1/2"	32	20	120.1	63.5	51	45.1	12.6	
87643-24-24	1.1/2"	40	24	134.6	63.5	51	49	12.6	
87643-32-24	2"	40	24	140.2	79.4	67	54.7	12.6	
87643-32-32	2"	50	32	163.3	79.4	67	61.9	12.6	

#### 90° SAE Flange 6000 PSI

Number: 87693

Ref. SAE J516 - ISO 12151-3



PART NO.	FLANGE SIZE	HOSE BORE		DIMENSIONS					
		DN	DASH	A	C	D	H	L	
87693-12-12	3/4"	20	12	75	41.3	32	66	8.76	
87693-16-12	1"	20	12	75	47.6	38	68	9.53	
87693-16-16	1"	25	16	88.9	47.6	38	73.5	9.53	
87693-20-16	1.1/4"	25	16	88.9	54	44	78.5	10.3	
87693-20-20	1.1/4"	32	20	105.8	54	44	86.5	10.3	
87693-24-20	1.1/2"	32	20	105.8	63.5	51	89.5	12.6	
87693-24-24	1.1/2"	40	24	124.2	63.5	51	103	12.6	
87693-32-24	2"	40	24	124.2	79.4	67	103	12.6	
87693-32-32	2"	50	32	150.3	79.4	67	123.3	12.6	



### 1.2 - 224 SAE Flange 9000PSI

#### SAE Flange 9000 PSI

<b>Number: 87913</b> <b>Ref. SAE J516 - ISO 12151-3</b> 	PART NO.	FLANGE SIZE	HOSE BORE		DIMENSIONS					
			DN	DASH	A	C	D	L		
	87913-12-12	3/4"	20	12	58.5	41.3	31.7	14.3		
	87913-16-12	1"	20	12	63	47.6	38	14.3		
	87913-16-16	1"	25	16	64.4	47.6	38	14.3		
	87913-20-16	1.1/4"	25	16	66.8	54	43	14.3		
	87913-20-20	1.1/4"	32	20	73.8	54	43	14.3		
	87913-24-20	1.1/2"	32	20	80.6	63.5	50.8	14.3		
87913-24-24	1.1/2"	40	24	80.7	63.5	50.8	14.3			

#### 45° SAE Flange 9000 PSI

<b>Number: 87943</b> <b>Ref. SAE J516 - ISO 12151-3</b> 	PART NO.	FLANGE SIZE	HOSE BORE		DIMENSIONS					
			DN	DASH	A	C	D	H	L	
	87943-12-12	3/4"	20	12	92.6	41.3	31.7	35.6	14.3	
	87943-16-12	1"	20	12	93.7	47.6	38	36.7	14.3	
	87943-16-16	1"	25	16	103.9	47.6	38	37.5	14.3	
	87943-20-16	1.1/4"	25	16	104.6	54	43	38.2	14.3	
	87943-20-20	1.1/4"	32	20	117.3	54	43	42.3	14.3	
	87943-24-20	1.1/2"	32	20	118	63.5	50.8	43	14.3	
87943-24-24	1.1/2"	40	24	132.5	63.5	50.8	46.9	14.3		

#### 90° SAE Flange 9000 PSI

<b>Number: 87993</b> <b>Ref. SAE J516 - ISO 12151-3</b> 	PART NO.	FLANGE SIZE	HOSE BORE		DIMENSIONS					
			DN	DASH	A	C	D	H	L	
	87993-12-12	3/4"	20	12	75	41.3	31.7	71.5	14.3	
	87993-16-12	1"	20	12	75	47.6	38	73	14.3	
	87993-16-16	1"	25	16	88.9	47.6	38	78.5	14.3	
	87993-20-16	1.1/4"	25	16	88.9	54	43	79.5	14.3	
	87993-20-20	1.1/4"	32	20	105.8	54	43	90.5	14.3	
	87993-24-20	1.1/2"	32	20	105.8	63.5	50.8	91.5	14.3	
87993-24-24	1.1/2"	40	24	124.2	63.5	50.8	105	14.3		

### 1.2 - 230 Double Connector

#### Double Connector For Interlock Hoses

<b>Number: 90013</b> 	PART NO.	HOSE BORE		DIMENSIONS
		DN	DASH	
	90013-12	20	12	119
	90013-16	25	16	150
	90013-20	32	20	194
	90013-24	40	24	223
90013-32	50	32	235	

### 1.2 - 301 Reusable Ferrule

Ferrule For SAE 100 R5 Hose

<p>Number: 00518</p>	PART NO.	HOSE DASH	DIMENSIONS	
			L	S
	00518-04	4	28	17
	00518-05	5	30.5	19
	00518-06	6	33	22
	00518-08	8	42	24
	00518-10	10	45.5	30
	00518-12	12	53.5	32
	00518-16	16	42	36
	00518-20	20	44.5	46
	00518-24	24	47	50
	00518-32	32	57	65

### 1.2 - 304 Metric 24° Cone Seal L.T.

Metric Female 24° Cone O-Ring L.T. Double Hexagon

<p>Number: 20418D-R5 Ref. DIN 3865 - ISO 12151-2</p>	PART NO	THREAD E	HOSE BORE		TUBE O.D.	DIMENSIONS		
			DN	DASH		C	S1	S2
	20418D-14-04(R5)	M14X1.5	5	4	8	1.4	12	17
	20418D-16-05(R5)	M16X1.5	6	5	10	2.1	14	19
	20418D-18-06(R5)	M18X1.5	8	6	12	1.8	17	22
	20418D-22-08(R5)	M22X1.5	11	8	15	3	19	27
	20418D-26-10(R5)	M26X1.5	13	10	18	2.1	27	32
	20418D-30-12(R5)	M30X2	16	12	22	3.8	30	36
	20418D-36-16(R5)	M36X2	22	16	28	4.5	36	41
	20418D-45-16(R5)	M45X2	22	16	35	4	41	50
	20418D-45-20(R5)	M45X2	28	20	35	4	41	50
	20418D-52-24(R5)	M52X2	35	24	42	4	50	60

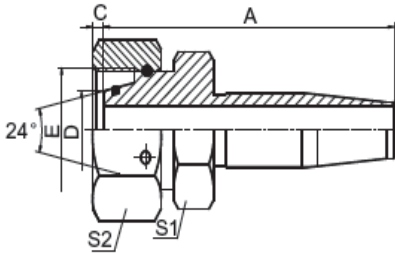
Metric Female 24° Cone O-Ring L.T.

<p>Number: 20418-R5T Ref. DIN 3865 - ISO 12151-2</p>	PART NO	THREAD E	HOSE BORE		TUBE O.D.	DIMENSIONS		
			DN	DASH		C	S1	S2
	20418-14-04(R5T)	M14X1.5	5	4		1.4	17	
	20418-16-05(R5T)	M16X1.5	6	5		2.1	19	
	20418-18-06(R5T)	M18X1.5	8	6		1.8	22	
	20418-22-08(R5T)	M22X1.5	11	8		3	27	
	20418-26-10(R5T)	M26X1.5	13	10		2.1	32	
	20418-30-12(R5T)	M30X2	16	12		3.8	36	
	20418-36-16(R5T)	M36X2	22	16		4.5	46	
	20418-45-16(R5T)	M45X2	22	16		4	55	
	20418-45-20(R5T)	M45X2	28	20		4	55	
	20418-52-24(R5T)	M52X2	35	24		4	60	

#### 1.2 - 305 Metric 24° Cone Seal H.T.

##### Metric Female 24° Cone O-Ring H.T. Double Hexagon

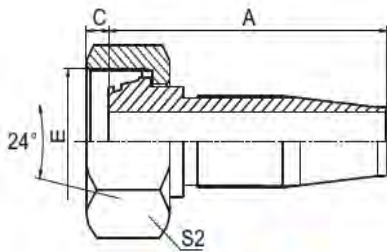
Number: 20518D-R5  
Ref. DIN 3865 - ISO 12151-2



PART NO	THREAD E	HOSE BORE		TUBE O.D.	DIMENSIONS		
		DN	DASH		C	S1	S2
20518D-16-04(R5)	M16X1.5	5	4	8	1.8	14	19
20518D-16-05(R5)	M16X1.5	6	5	8	1.8	14	19
20518D-18-04(R5)	M18X1.5	5	4	10	1.5	17	22
20518D-18-06(R5)	M18X1.5	8	6	10	1.5	17	22
20518D-20-06(R5)	M20X1.5	8	6	12	2.5	17	24
20518D-22-06(R5)	M22X1.5	8	6	14	3	19	27
20518D-24-08(R5)	M24X1.5	11	8	16	3	22	30
20518D-30-10(R5)	M30X2	13	10	20	2.5	27	36
20518D-30-12(R5)	M30X2	16	12	20	2.5	27	36
20518D-36-12(R5)	M36X2	16	12	25	3.2	36	41
20518D-36-16(R5)	M36X2	22	16	25	3.2	36	41
20518D-42-16(R5)	M42X2	22	16	30	3.9	41	50
20518D-42-20(R5)	M42X2	28	20	30	3.9	41	50
20518D-52-20(R5)	M52X2	28	20	38	4.5	50	60
20518D-52-24(R5)	M52X2	35	24	38	4.5	50	60

##### Metric Female 24° Cone O-Ring H.T.

Number: 20518-R5T  
Ref. DIN 3865 - ISO 12151-2



**StrongFlex**

PART NO	THREAD E	HOSE BORE			DIMENSIONS		
		DN	DASH		C	S1	S2
20518-16-04(R5T)	M16X1.5	5	4		1.8	19	
20518-16-05(R5T)	M16X1.5	6	5		1.8	19	
20518-18-04(R5T)	M18X1.5	5	4		1.5	22	
20518-18-06(R5T)	M18X1.5	8	6		1.5	22	
20518-20-06(R5T)	M20X1.5	8	6		2.5	24	
20518-22-06(R5T)	M22X1.5	8	6		3	27	
20518-24-08(R5T)	M24X1.5	11	8		3	30	
20518-30-10(R5T)	M30X2	13	10		2.5	36	
20518-30-12(R5T)	M30X2	16	12		2.5	36	
20518-36-12(R5T)	M36X2	16	12		3.2	41	
20518-36-16(R5T)	M36X2	22	16		3.2	41	
20518-42-16(R5T)	M42X2	22	16		3.9	50	
20518-42-20(R5T)	M42X2	28	20		3.9	50	
20518-52-20(R5T)	M52X2	28	20		4.5	60	
20518-52-24(R5T)	M52X2	35	24		4.5	60	

### 1.2 - 315 BSP 60°

#### BSP Male 60° Cone Seat

Number: 12618D-R5	PART NO.	THREAD E	HOSE BORE		DIMENSIONS		
			DN	DASH	S1		
	12618-04-04(R5)	G1/4"X19	5	4	4		
	12618-06-05(R5)	G3/8"X19	6	5	5		
	12618-06-06(R5)	G3/8"X19	8	6	6		
	12618-08-08(R5)	G1/2"X14	11	8	8		
	12618-10-10(R5)	G5/8"X14	13	10	10		
	12618-12-12(R5)	G3/4"X14	16	12	12		
	12618-16-16(R5)	G1"X11	22	16	16		
	12618-20-20(R5)	G1.1/4"X11	28	20	20		
	12618-24-24(R5)	G1.1/2"X11	35	24	24		
	12618-32-32(R5)	G2"X11	46	32	32		

#### BSP Female 60° Cone Double Hexagon

Number: 22618D-R5	PART NO.	THREAD E	HOS E DASH	DIMENSIONS			
				A	C	S1	S2
	22618D-04-04(R5)	G1/4"X19	4	26	5.5	14	19
	22618D-06-05(R5)	G3/8"X19	5	29.1	6.3	17	22
	22618D-06-06(R5)	G3/8"X19	6	30	6.3	17	22
	22618D-08-08(R5)	G1/2"X14	8	35	7.5	19	27
	22618D-10-10(R5)	G5/8"X14	10	35.5	9.5	22	30
	22618D-12-12(R5)	G3/4"X14	12	38.5	10.9	27	32
	22618D-16-16(R5)	G1"X11	16	37	11.7	32	41
	22618D-20-20(R5)	G1.1/4"X11	20	41.5	11	41	50

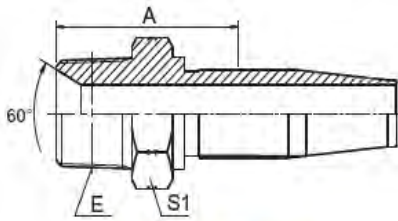
#### BSP Female 60° Cone Double Hexagon

Number: 22618D-R5	PART NO.	THREAD E	HOS E DASH	DIMENSIONS			
				A	C	S1	
	22618-04-04(R5T)	G1/4"X19	4	26	5.5	19	
	22618-06-05(R5T)	G3/8"X19	5	29.1	6.3	22	
	22618-06-06(R5T)	G3/8"X19	6	30	6.3	22	
	22618-08-08(R5T)	G1/2"X14	8	35	7.5	27	
	22618-10-10(R5T)	G5/8"X14	10	35.5	9.5	30	
	22618-12-12(R5T)	G3/4"X14	12	38.5	10.9	32	
	22618-16-16(R5T)	G1"X11	16	37	11.7	41	
	22618-20-20(R5T)	G1.1/4"X11	20	41.5	11	50	

### 1.2 - 316 NPT

#### NPT Male

Number: 15618-R5



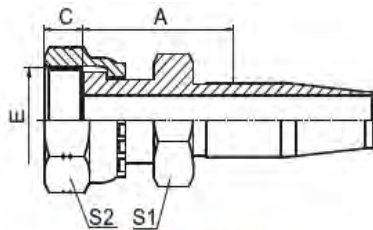
**StrongFlex**

PART NO.	THREAD E	HOSE DASH	DIMENSIONS	
			A	S1
15618-02-04(R5)	Z1/8"X27	4	25.5	12
15618-04-04(R5)	Z1/4"X18	4		17
15618-04-06(R5)	Z1/4"X18	6	31	17
15618-06-05(R5)	Z3/8"X18	5	32.9	19
15618-06-06(R5)	Z3/8"X18	6	32	19
15618-08-08(R5)	Z1/2"X14	8	40.5	22
15618-12-10(R5)	Z3/4"X14	10	42.5	30
15618-12-12(R5)	Z3/4"X14	12	43	30
15618-16-16(R5)	Z1"X11.5	16	46.5	36
15618-20-20(R5)	Z1.1/4"X11.5	20	51.5	46
15618-24-24(R5)	Z1.1/2"X11.5	24	52.5	50
15618-32-32(R5)	Z2"X11.5	32	55	65

### 1.2 - 318 ORFS

#### ORFS Female Flat Seat Double Hexagon

Number: 24218D-R5



**StrongFlex**

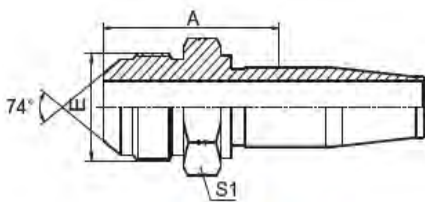
PART NO.	THREAD E	HOS E DASH	DIMENSIONS			
			C	S1	S2	
24218D-04-04(R5)	9/16"X18	4	8.5	14	19	
24218D-04-05(R5)	9/16"X18	5	8.5	14	19	
24218D-06-06(R5)	11/16"X16	6	10	17	22	
24218D-08-08(R5)	13/16"X16	8	11	19	27	
24218D-10-10(R5)	1"X14	10	13.5	24	30	
24218D-12-12(R5)	1.3/16"X12	12	15	30	36	
24218D-16-16(R5)	1.7/16"X12	16	15	36	41	
24218D-20-20(R5)	1.11/16"X12	20	15	41	50	
24218D-24-24(R5)	2"X12	24	16	50	60	

### 1.2 - 320 JIC 74°

#### JIC Male 74° Cone

Number: 16718-R5

Ref. SAE J514



**StrongFlex**

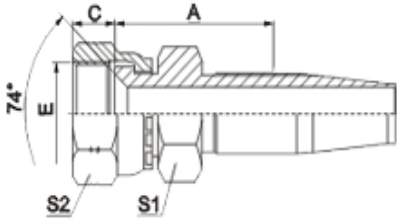
PART NO.	THREAD E	HOSE DASH	DIMENSIONS	
			A	S1
16718-04-04(R5)	7/16"X20	4	29	12
16718-06-05(R5)	9/16"X18	5	31	17
16718-06-06(R5)	9/16"X18	6	32	17
16718-08-06(R5)	3/4"X16	6	34.7	22
16718-08-08(R5)	3/4"X16	8	38	22
16718-10-10(R5)	7/8"X14	10	40.5	24
16718-12-12(R5)	1.1/16"X12	12	45.5	30
16718-16-16(R5)	1.5/16"X12	16	44	36
16718-20-20(R5)	1.5/8"X12	20	49.5	46
16718-24-24(R5)	1.7/8"X12	24	52.5	50

### Reusable Hose Fitting

#### 1.2 - 320 JIC 74°

##### JIC Female 74° Cone Seat Double Hexagon

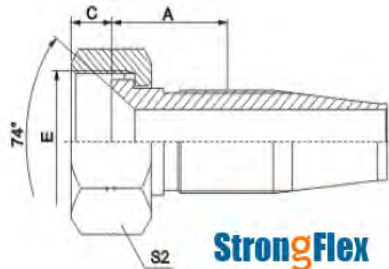
Number: 26718D-R5  
Ref. SAE J514 - ISO 8434-2



PART NO.	THREAD E	HOS E DASH	DIMENSIONS				
			A	C	S1	S2	
26718D-04-04(R5)	7/16"X20	4	22	9	14	17	
26718D-05-05(R5)	1/2"X20	5		9.5	14	17	
26718D-06-06(R5)	9/16"X18	6	24.5	10.5	17	19	
26718D-08-08(R5)	3/4"X16	8	31.5	11	22	24	
26718D-10-10(R5)	7/8"X14	10	34	13	27	27	
26718D-12-12(R5)	1.1/16"X12	12	37	15	32	32	
26718D-16-16(R5)	1.5/16"X12	16	33.5	16	38	41	
26718D-20-20(R5)	1.5/8"X12	20	41.5	17	41	50	
26718D-24-24(R5)	1.7/8"X12	24	43	20	46	55	
26718D-32-32(R5)	2.1/2"X12	32	45.5	23.5	65	75	

##### JIC Female 74° Cone Seat

Number: 26718-R5T  
Ref. SAE J514 - ISO 8434-2



PART NO.	THREAD E	HOS E DASH	DIMENSIONS				
			A	C	S2		
26718-04-04(R5T)	7/16"X20	4	20.5	9	15		
26718-05-05(R5T)	1/2"X20	5	23.4	9.5	17		
26718-06-06(R5T)	9/16"X18	6	22.5	10.5	19		
26718-08-08(R5T)	3/4"X16	8	23.5	11	24		
26718-10-10(R5T)	7/8"X14	10	24	13	27		
26718-12-12(R5T)	1.1/16"X12	12	26	15	32		
26718-16-16(R5T)	1.5/16"X12	16	22.5	16	41		
26718-20-20(R5T)	1.5/8"X12	20	24	17	50		
26718-24-24(R5T)	1.7/8"X12	24	24	20	55		
26718-32-32(R5T)	2.1/2"X12	32	26	23.5	75		

##### 90° JIC Female 74° Cone Seat

Number: 26798D-R5  
Ref. SAE J514 - ISO 8434-2



PART NO.	THREAD E	HOS E DASH	DIMENSIONS				
			A	C	H	S1	S2
26798D-04-04(R5)	7/16"X20	4	38.5	9	33.5	14	15
26798D-05-05(R5)	1/2"X20	5	43.4	9.5	37	14	17
26798D-06-06(R5)	9/16"X18	6	44.8	10.5	39.3	17	19
26798D-08-08(R5)	3/4"X16	8	53	11	47.5	19	24
26798D-10-10(R5)	7/8"X14	10	66.5	13	52.5	24	27
26798D-12-12(R5)	1.1/16"X12	12	79.5	15	63.5	27	32
26798D-16-16(R5)	1.5/16"X12	16	86.5	16	70	32	41
26798D-20-20(R5)W	1.5/8"X12	20	100.5	17	85	38	50
26798D-24-24(R5)W	1.7/8"X12	24	121	20	97.5	46	55
26798D-32-32(R5)W	2.1/2"X12	32	143.3	23.5	118.8	60	75



### 1.2 - 321 SAE 90°

#### SAE Male 90° Cone

<b>Number: 17818-R5</b> <b>Ref. SAE J513</b> 	PART NO.	THREAD E	HOSE DASH	DIMENSIONS	
				A	S1
	17818-06-06(R5)	5/8"X18	6	33.7	17
	17818-08-08(R5)	3/4"X16	8	42	22
	17818-12-12(R5)	1.1/16"X14	12	51	30

#### SAE Female 90° Cone Seat Double Hexagon

<b>Number: 27818D-R5</b> 	PART NO.	THREAD E	HOS E DASH	DIMENSIONS				
				A	C	S1	S2	
	27818D-04-04(R5)	7/16"X20	4	22	9	14	15	
	27818D-05-05(R5)	1/2"X20	5	25.4	9	14	17	
	27818D-06-06(R5)	9/16"X18	6	26	11.3	17	22	
	27818D-08-08(R5)	3/4"X16	8	31.5	11	22	24	
	27818D-10-10(R5)	7/8"X14	10	34	13	27	27	
27818D-12-12(R5)	1.1/16"X12	12	37	14.3	32	32		

#### SAE Female 90° Cone Seat

<b>Number: 27818-R5T</b> 	PART NO.	THREAD E	HOSE DASH	DIMENSIONS		
				C	S2	
	27818-04-04(R5T)	7/16"X20	4	9	15	
	27818-05-05(R5T)	1/2"X20	5	9	17	
	27818-06-06(R5T)	9/16"X18	6	11.3	22	
	27818-08-08(R5T)	3/4"X16	8	11	24	
	27818-10-10(R5T)	7/8"X14	10	13	27	
27818-12-12(R5T)	1.1/16"X12	12	14.3	32		

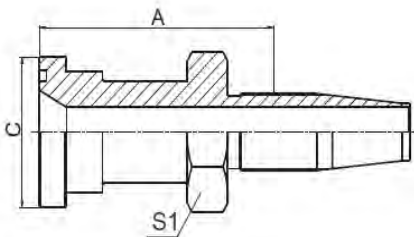
#### 90° SAE Female 90° Cone Seat

<b>Number: 27898D-R5</b> 	PART NO.	THREAD E	HOS E DASH	DIMENSIONS				
				A	C	H	S1	S2
	27898D-06-06(R5T)	9/16"X18	6	44.8	11.3	40.8	17	22
	27898D-08-08(R5T)	3/4"X16	8	53	10.5	47.5	19	24

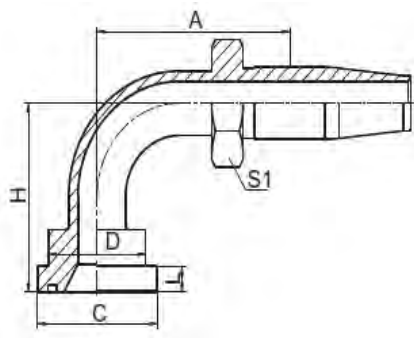


### 1.2 - 322 SAE Flange 3000PSI

#### SAE Female 90° Cone Seat

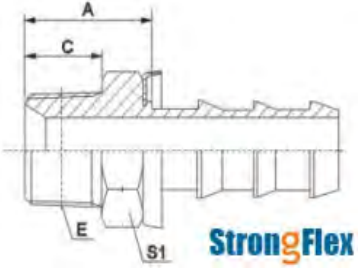
Number: 87318D-R5 	PART NO.	Flange Size	HOSE BORE		DIMENSIONS				
			DN	DASH	A	C	S1		
			87318D-08-08(R5)	1/2"	11	8	54	30.2	22
87318D-12-12(R5)	3/4"	16	12	55	38.1	27			
87318D-16-16(R5)	1"	22	16	55	44.4	32			
87318D-20-20(R5)	1.1/4"	28	20	58	50.8	41			
87318D-24-24(R5)	1.1/2"	35	24	70	60.3	46			
87318D-32-32(R5)	2"	46	32	72	71.4	60			

#### 90° SAE Female 90° Cone Seat

Number: 87398D-R5 	PART NO.	Flange Size	HOSE BORE		DIMENSIONS					
			DN	DASH	A	C	D	H	L	S1
			87318D-08-08(R5)	1/2"	11	8	53	30.2	24	47
87318D-12-12(R5)	3/4"	13	10	66.5	38.1	32	52.5	6.73	32	
87318D-12-12(R5)	3/4"	16	12	79.5	38.1	32	62	6.73	32	
87318D-16-12(R5)	1"	16	12	79.5	44.4	38	62	8	32	
87318D-16-16(R5)	1"	22	16	86.5	44.4	38	67.5	8	41	
87318D-20-16(R5)	1.1/4"	22	16	86.5	50.8	43	67.5	8	41	
87318D-20-20(R5)	1.1/4"	28	20	100.5	50.8	43	78.5	8	50	
87318D-24-20(R5)	1.1/2"	28	20	100.5	60.3	50	80.5	8	50	
87318D-24-24(R5)	1.1/2"	35	24	108	60.3	50	94	8	55	
87318D-32-24(R5)	2"	35	24	108	71.4	62	94	9.53	55	
87318D-32-32(R5)	2"	46	32	128.8	71.4	62	114.3	9.53	70	

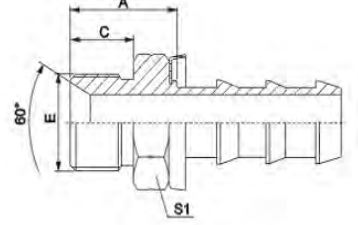
### 1.2 - 412 BSPT Male

#### BSPT Male

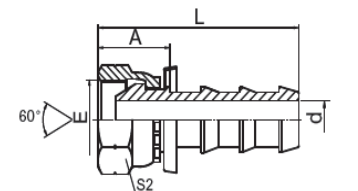
Number: 13011SP-PO	PART NO.	THREAD E	HOSE BORE		DIMENSIONS		
			DN	DASH	A	C	S1
				13011-02-04SP(PO)	R1/8"X28	6	4
13011-04-04SP(PO)	R1/4"X19	6	4	20.5	14.5	14	
13011-04-06SP(PO)	R1/4"X19	10	6	22	14.5	17	
13011-06-06SP(PO)	R3/8"X19	10	6	23.5	15	19	
13011-08-08SP(PO)	R1/2"X14	12	8	30.5	20	22	
13011-12-12SP(PO)	R3/4"X14	20	12	29.4	20	27	

### 1.2 - 415 BSP 60°

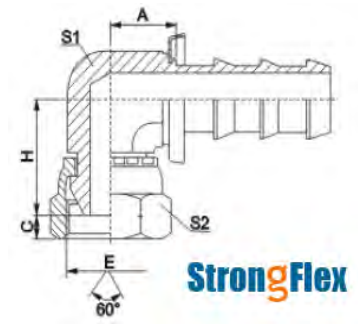
#### BSP Male 60° Cone Seat

Number: 12611-PO	PART NO.	THREAD E	HOSE BORE		DIMENSIONS		
			DN	DASH	A	C	S1
				12611-04-04PO	G1/4"X19	6	4
12611-06-06PO	G3/8"X19	10	6	22	13.5	17	
12611-08-08PO	G1/2"X14	12	8	26.5	16	22	
12611-10-10PO	G5/8"X14	16	10	27.5	17.5	24	
12611-12-12PO	G3/4"X14	20	12	29.9	18.5	27	

#### BSP Female 60° Cone

Number: 22611-PO	PART NO.	THREAD E	HOSE BORE		DIMENSIONS		
			DN	DASH	A	C	S1
				22611-04-04PO	G1/4"X19	6	4
22611-06-06PO	G3/8"X19	10	6	24.5	6.3	22	
22611-08-08PO	G1/2"X14	12	8	24.5	7.5	27	
22611-12-12PO	G3/4"X14	20	12	29	10.9	32	

#### 90° BSP Compact Female 60° Cone

Number: 22691K-PO	PART NO.	THREAD E	HOSE BORE		DIMENSIONS				
			DN	DASH	A	C	H	S1	S2
				22691K-04-04PO	G1/4"X19	6	4	12	5.5
22691K-06-06PO	G3/8"X19	10	6	14	6.3	24	14	22	
22691K-08-08PO	G1/2"X14	12	8	17	7.5	26.5	19	27	
22691K-12-12PO	G3/4"X14	20	12	21.5	10.9	33	27	32	

### 1.2 - 416 NPT

#### NPT Male

Number: 15611-PO	PART NO.	THREAD E	HOSE BORE		DIMENSIONS				
			DN	DASH	A	C	S1		
	15611-02-04PO	Z1/8"X27	6	4	18.2	10.5	12		
	15611-04-04PO	Z1/4"X18	6	4	22.7	15	14		
	15611-04-06PO	Z1/4"X18	10	6	22.5	15	14		
	15611-06-06PO	Z3/8"X18	10	6	23.5	16	19		
	15611-06-08PO	Z3/8"X18	12	8	23.7	16	19		
	15611-08-08PO	Z1/2"X14	12	8	29.2	19.5	22		
	15611-08-10PO	Z1/2"X14	16	10	29	19.5	22		
	15611-12-12PO	Z3/4"X14	20	12	31.5	19.5	27		

### 1.2 - 420 JIC 74°

#### JIC Male 74° Cone SAE J514

Number: 16711-PO	PART NO.	THREAD E	HOSE BORE		DIMENSIONS				
			DN	DASH	A	C	S1		
	16711-04-04PO	7/16"X20	6	4	22	14	12		
	16711-06-04PO	9/16"X18	6	4	22	14.1	17		
	16711-06-06PO	9/16"X18	10	6	22	14.1	17		
	16711-08-06PO	3/4"X16	10	6	27.2	16.7	22		
	16711-08-08PO	3/4"X16	12	8	27.2	16.7	22		
	16711-10-10PO	7/8"X14	16	10	30	19.3	24		
	16711-10-12PO	7/8"X14	20	12	29.4	19.3	24		
	16711-12-08PO	1.1/16"X12	12	8	34.5	21.9	27		
	16711-12-10PO	1.1/16"X12	16	10	34	21.9	27		
	16711-12-12PO	1.1/16"X12	20	12	33.4	21.9	27		

#### JIC Female 74° Cone Seat

Number: 26711-PO	PART NO.	THREAD E	HOSE BORE		DIMENSIONS				
			DN	DASH	A	C	S2		
	26711-04-04PO	7/16"X20	6	4	12.2	9	15		
	26711-05-04PO	1/2"X20	6	4	12.2	9.5	17		
	26711-06-06PO	9/16"X18	10	6	12.5	10.5	19		
	26711-08-06PO	3/4"X16	10	6	12.5	11	24		
	26711-08-08PO	3/4"X16	12	8	14.7	11	24		
	26711-10-08PO	7/8"X14	12	8	15.2	13	27		
	26711-10-10PO	7/8"X14	16	10	15.7	13	27		
	26711-12-12PO	1.1/16"X12	20	12	17.4	15	32		
	26711-16-16PO	1.5/16"X12	25	16	18.6	16	41		

### 1.2 - 420 JIC 74°

#### 90° JIC Compact Female 74° Cone

Number: 26791K-PO	PART NO.	THREAD E	HOSE BORE		DIMENSIONS				
			DN	DASH	A	C	H	S1	S2
	26791K-04-04PO	7/16"X20	6	4	11.7	9	18	11	17
	26791K-06-04PO	9/16"X18	6	4	14	10.5	20.5	14	19
	26791K-06-06PO	9/16"X18	10	6	15.5	10.5	21	16	19
	26791K-08-06PO	3/4"X16	10	6	16	11	22.5	16	24
	26791K-08-08PO	3/4"X16	12	8	15.7	11	22.5	19	24
	26791K-10-10PO	7/8"X14	16	10	18.5	12	27	22	27
	26791K-12-12PO	1.1/16"X12	20	12	21.5	15	30	27	32

### 1.2 - 421 SAE 90°

#### SAE Female 90° Cone Seat

Number: 27811-PO Ref. SAE J513	PART NO.	THREAD E	HOSE BORE		DIMENSIONS				
			DN	DASH	A	C	S2		
	27811-04-04PO	7/16"X20	6	4	12.2	9	15		
	27811-05-04PO	1/2"X20	6	4	13.7	9.5	17		
	27811-06-04PO	5/8"X18	6	4	13.7	11.3	22		
	27811-06-06PO	5/8"X18	10	6	13.7	11.3	22		
	27811-08-06PO	3/4"X16	10	6	14.7	11	24		
	27811-08-08PO	3/4"X16	12	8	14.7	11	24		
	27811-10-08PO	7/8"X14	12	8	15.2	13	27		
	27811-12-12PO	1.1/16"X14	20	12	16.9	14.3	3		

### 1.2 - 430 SAE 90°

#### Double Connector

Number: 90011-PO	PART NO.	THREAD E	HOSE BORE		DIMENSIONS				
			DN	DASH	A	d	L		
	90011-04PO		6	4	8.4	4.3	48		
	90011-06PO		10	6	8.4	7.6	52.4		
	90011-08PO		12	8	8.4	9.9	61		
	90011-10PO		16	10	9.4	12.2	88		
	90011-12PO		20	12	10	15.5	87.2		

## **NOTES**

The parameters in this catalogue are for reference only, and their dimensions and proportions may be a little different from those of the real products. Products included in this catalogue don't refer to all , so if customers are interested in other products, please don't hesitate to contact StrongFlex for further information.

StrongFlex has made much effort to record the correct data in this publication. However, in order to promote our products, we may make some changes of their size or description, which haven't been shown yet. We reserve the rights for explanation, but sorry for no further notice to customer the change of products' design, description or even stop of some products' manufacture in future.

## **CONTACT US**

**SHIJIAZHUANG STRONGFLEX CO., LTD**

**Address: No.88 Huaian West Road, Shijiazhuang, China**

**Phone: +86-311-87162178**

**Fax: +86-311-87162178**

**+86-311-87162169**

**+86-311-87663100**

**+86-311-87187255**

**E-Mail: [sales@strongflex.com](mailto:sales@strongflex.com)**

**Website: [www.strongflex.com](http://www.strongflex.com)**